



2+



33



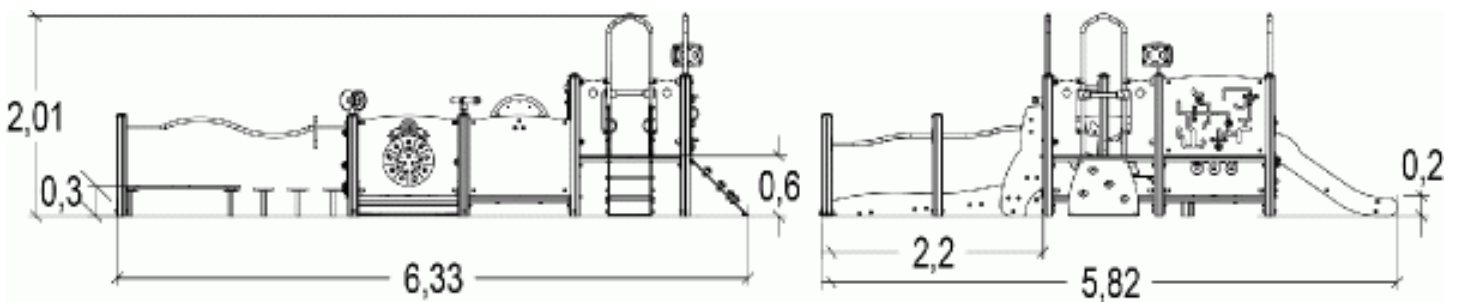
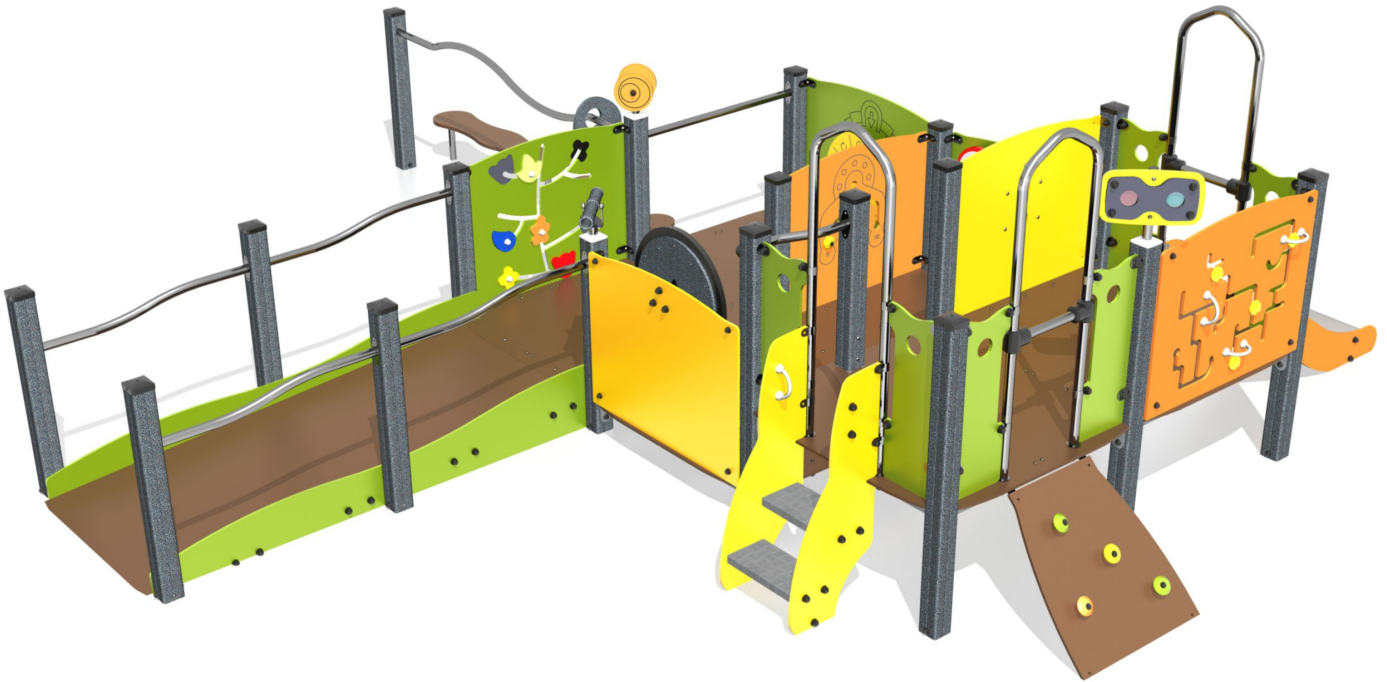
1m



1 = 6,33m
2 = 5,82m
3 = 2,01m



Physical inclusion
Sensory inclusion
Cognitive inclusion



Play value : **62**

climbing



x1

role play



x10

sliding



x1

meeting



x6

handling



x13

balancing



x1

thinking



x7

tactile stimulation



x13

visual stimulation



x5

climbing



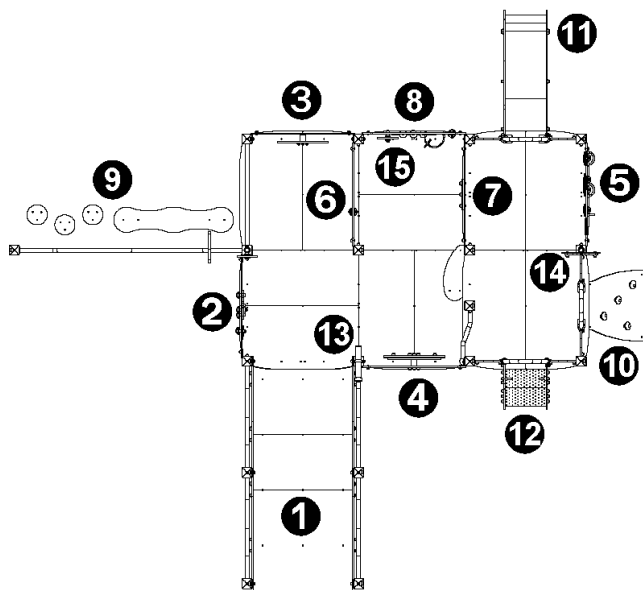
x3

getting across



x2



Components

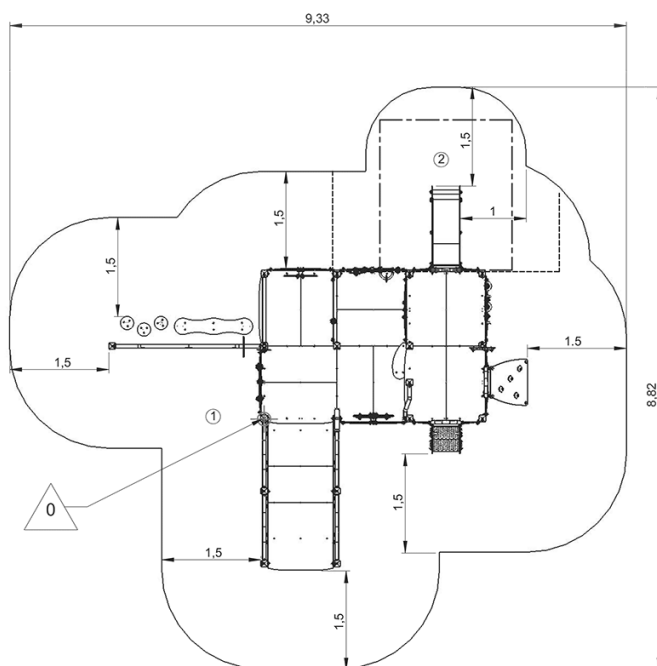


- ① Access ramp
- ② Flower panel
- ③ Lottery Panel
- ④ The Pachinko Play Panel
- ⑤ 'Maze' board
- ⑥ Triple play panel
- ⑦ Coloured porthole
- ⑧ Animal panel
- ⑨ Play Trail
- ⑩ Slope
- ⑪ Slide HT: 0.6m
- ⑫ Steps
- ⑬ Telescope
- ⑭ Coloured binoculars
- ⑮ Spinning disc

Installation of equipment

IMPORTANT: It is essential to refer to the installation instructions for information on the size of the safety areas.

-  Impact area (minimum normative surface)
-  Free space



1	0,6m	46m ²
2	1m	9m ²



2

34h00

0.7m³

55m²

765kg

22kg

EN

1176