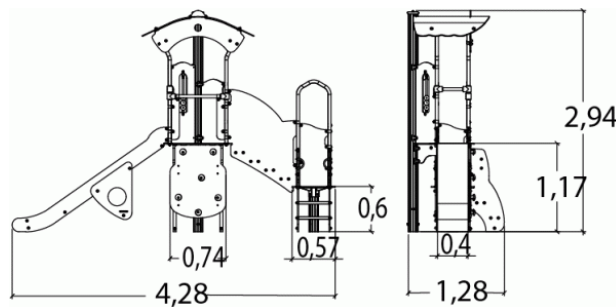


Physical inclusion
Sensory inclusion
Cognitive inclusion



Play value : **12**

climbing



x1

sliding



x1

meeting



x2

resting



x1

handling



x1

hiding



x1

taking shelter



x1

tactile stimulation



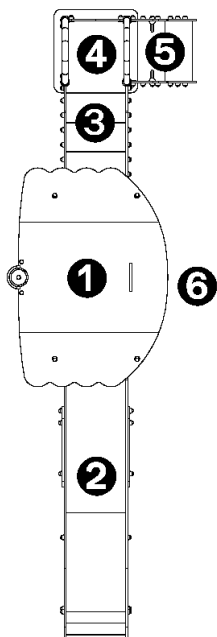
x1

climbing



x3



Components

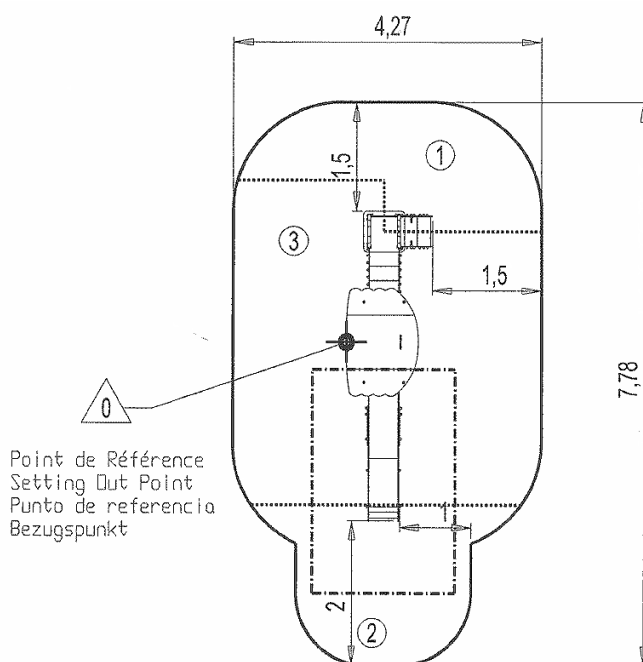


- ❶ Tower HT: 1.17m
- ❷ Slide HT: 1.17m
- ❸ Connecting staircase
- ❹ Platform HT: 0.6m
- ❺ Steps
- ❻ Climbing wall
- ❼ Seat
- ❽ Counting panel

Installation of equipment

IMPORTANT: It is essential to refer to the installation instructions for information on the size of the safety areas.

-  Impact area (minimum normative surface)
-  Free space



Point de Référence
Setting Out Point
Punto de referencia
Bezugspunkt



1	0,6m	5,5m ²
2	1m	5,5m ²
3	1,17m	17,5m ²



2

12h00

0.15m³

28.5m²

254kg

17kg

EN

1176