



2+



15



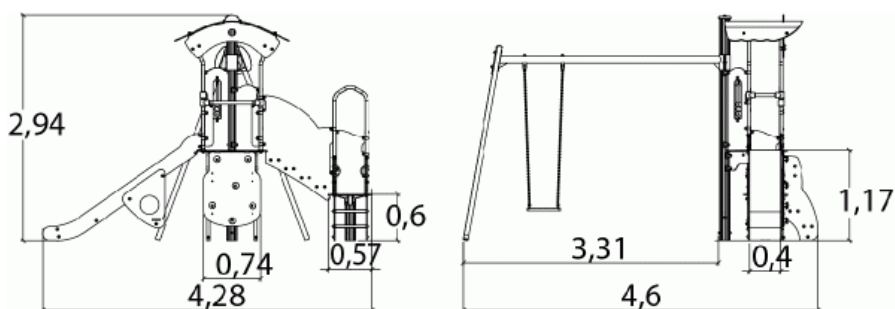
1,4m



1 = 4,6m
2 = 4,28m
3 = 2,94m



Physical inclusion
Sensory inclusion
Cognitive inclusion



Play value : **13**

climbing



x1

sliding



x1

meeting



x2

resting



x1

handling



x1

swinging



x1

hiding



x1

taking shelter



x1

tactile stimulation



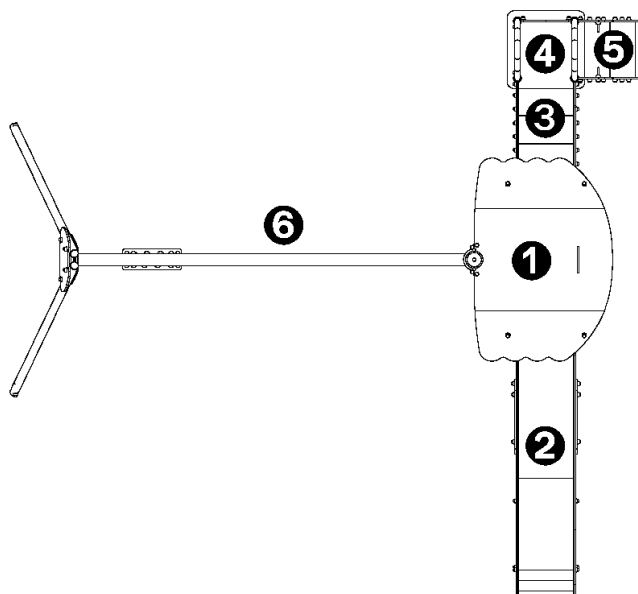
x1

climbing



x3

Components

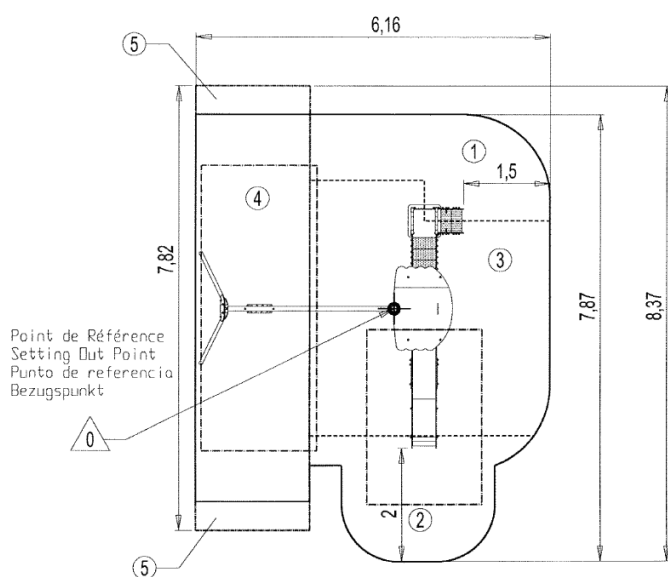


- ① Tower HT: 1.17m
- ② Slide HT: 1.17m
- ③ Connecting staircase
- ④ Platform HT: 0.6m
- ⑤ Steps
- ⑥ Swing
- ⑦ Climbing wall
- ⑧ Seat
- ⑨ Counting panel

Installation of equipment

IMPORTANT: It is essential to refer to the installation instructions for information on the size of the safety areas.

- Impact area (minimum normative surface)
- - - Free space



1	0,6m	6m ²
2	1m	6m ²
3	1,17m	17,5m ²
4	1,4m	13,5m ²
5	<0,6m	2m ²



2

14h00

0.2m³

43m²

324kg

26kg

EN

1176