



2+



20



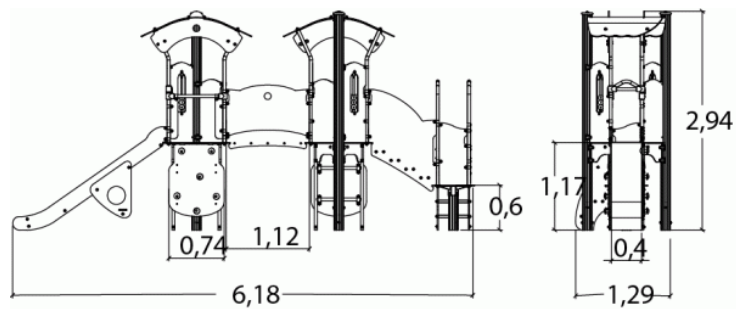
1,17m



1 = 6,18m
2 = 1,29m
3 = 2,94m



Physical inclusion
Sensory inclusion
Cognitive inclusion



Play value : **19**

climbing



x2

sliding



x1

meeting



x3

resting



x1

handling



x2

hiding



x1

taking shelter



x2

tactile stimulation



x2

climbing



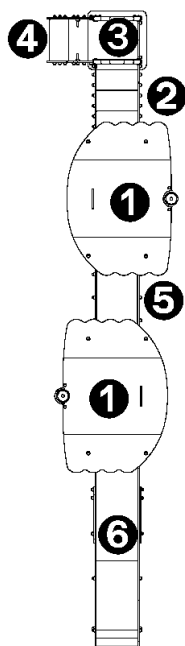
x4

getting across



x1



Components

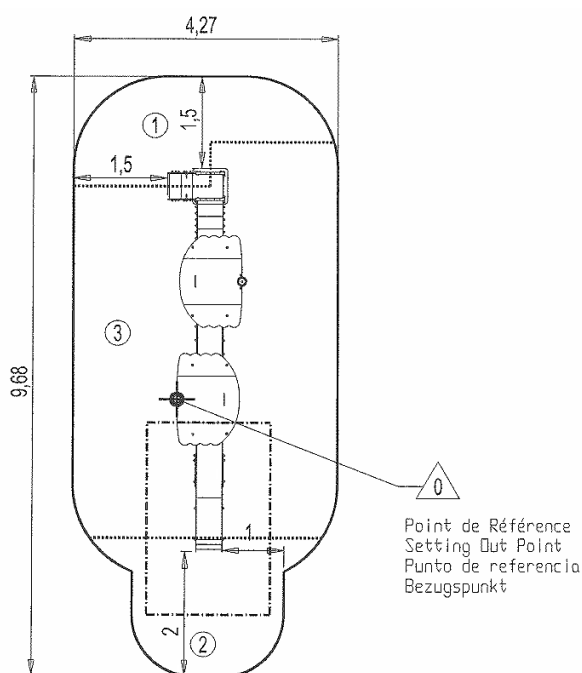


- ❶ Tower HT: 1.17m
- ❷ Connecting staircase
- ❸ Platform HT: 0.6m
- ❹ Steps
- ❺ Walkway
- ❻ Slide HT: 1.17m
- ❼ Climbing wall
- ❽ Seat
- ❾ Counting panel

Installation of equipment

IMPORTANT: It is essential to refer to the installation instructions for information on the size of the safety areas.

-  Impact area (minimum normative surface)
-  Free space



1	0,6m	5,5m ²
2	1m	5,5m ²
3	1,17m	26m ²



2

20h00

0.25m³

37m²

394kg

17kg

EN

1176