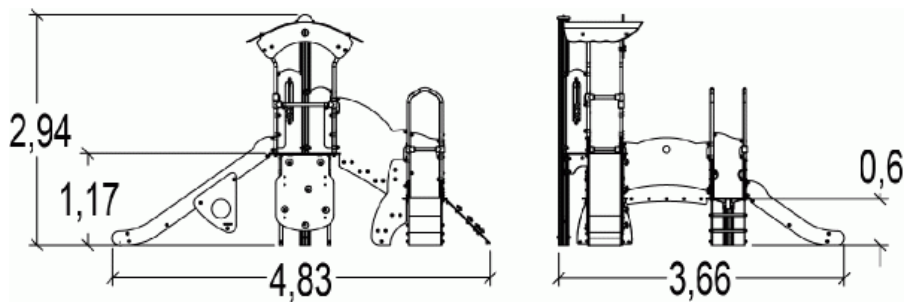


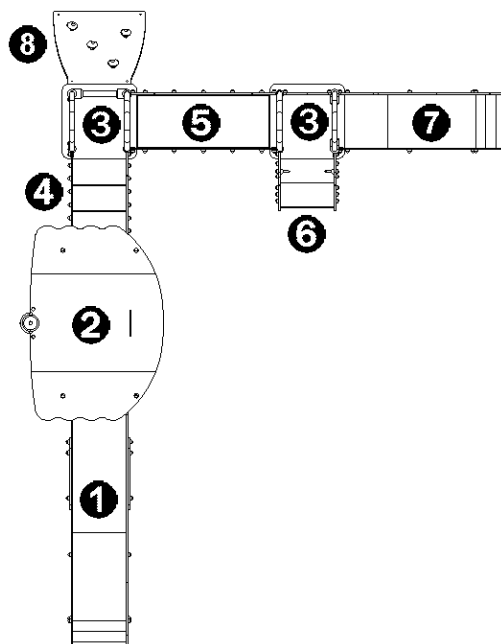
Physical inclusion
Sensory inclusion
Cognitive inclusion



Play value : **16**

climbing	sliding	meeting	resting	handling	hiding	taking shelter	tactile stimulation
x2	x2	x3	x1	x1	x1	x1	x1
climbing	getting across						
x3	x1						

Components

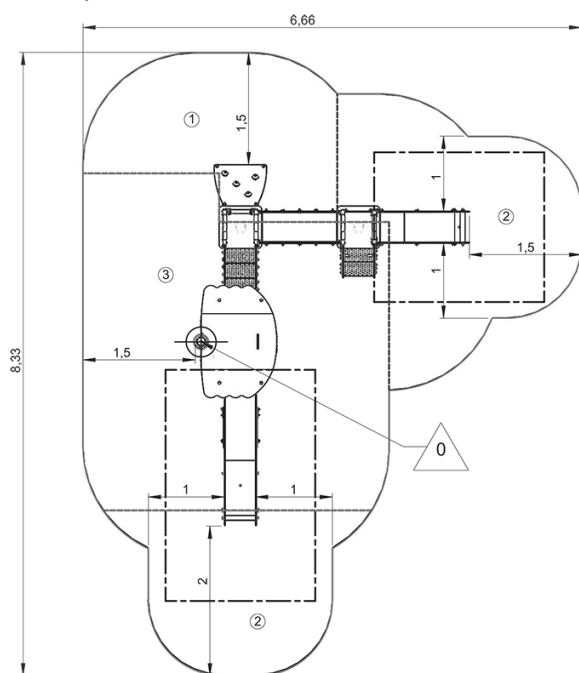


- ❶ Slide HT: 1.17m
- ❷ Tower HT: 1.17m
- ❸ Platform HT: 0.6m
- ❹ Connecting staircase
- ❺ Walkway
- ❻ Steps
- ❼ Slide HT: 0.6m
- ❽ Slope
- ❾ Climbing wall
- ❿ Seat
- ⓫ Counting panel

Installation of equipment

IMPORTANT: It is essential to refer to the installation instructions for information on the size of the safety areas.

- Impact area (minimum normative surface)
- - - Free space



1	0,6m	6,5m ²
2	1m	14m ²
3	1,17m	17m ²



2



22h00



0.25m³



37.5m²



356kg



17kg

