



2+



16



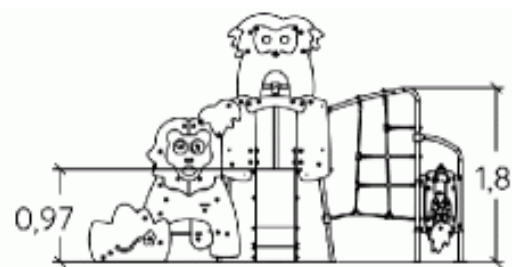
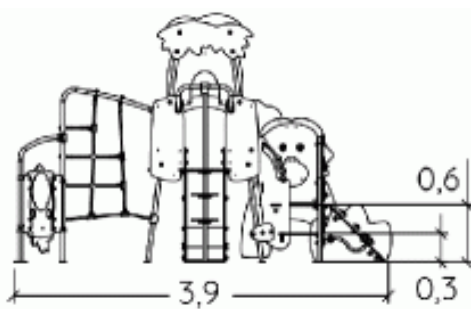
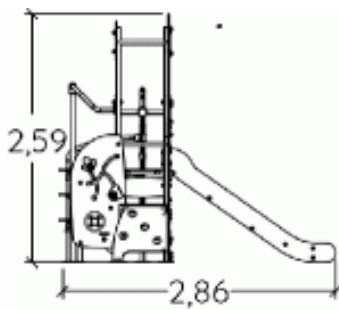
1,8m



1 = 3,9m  
2 = 2,86m  
3 = 2,59m



Physical inclusion  
Sensory inclusion  
Cognitive inclusion



Play value :

18

climbing



x1

role play



x3

sliding



x1

meeting



x2

handling



x3

tactile stimulation



x3

visual stimulation



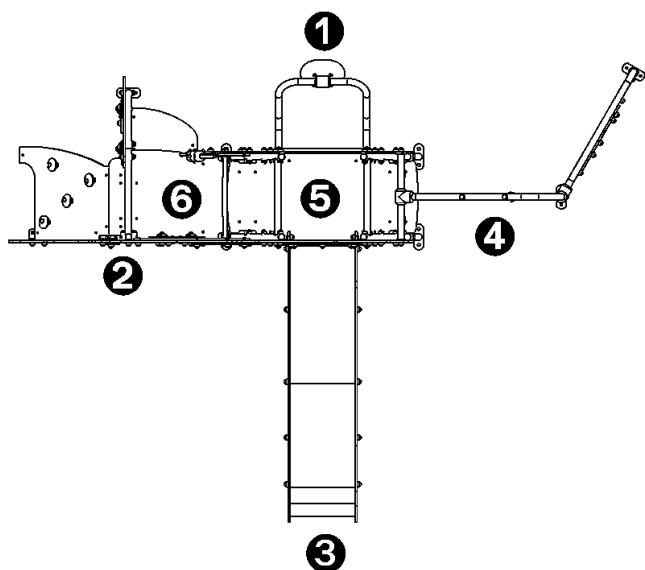
x2

climbing



x3



## Components

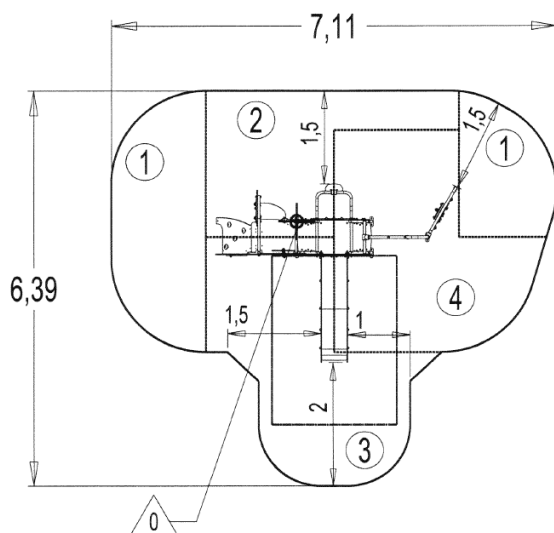


- ❶ Coconut tree mast
- ❷ Explorer panel
- ❸ Slide Ht: 97cm
- ❹ Net
- ❺ Platform Ht : 97cm
- ❻ Platform Ht : 60cm

## Installation of equipment



**IMPORTANT:** It is essential to refer to the installation instructions for information on the size of the safety areas.

-  Impact area (minimum normative surface)
-  Free space



Point de Référence  
Setting Out Point  
Punto de referencia  
Bezugspunkt  
Referentiepunt



		
1	0,6m	8,5m <sup>2</sup>
2	0,97m	6,5m <sup>2</sup>
3	1m	9m <sup>2</sup>
4	1,8m	9m <sup>2</sup>



2

08h00

0.4m<sup>3</sup>

32.5m<sup>2</sup>

250kg

14kg

EN

1176