



2+



16



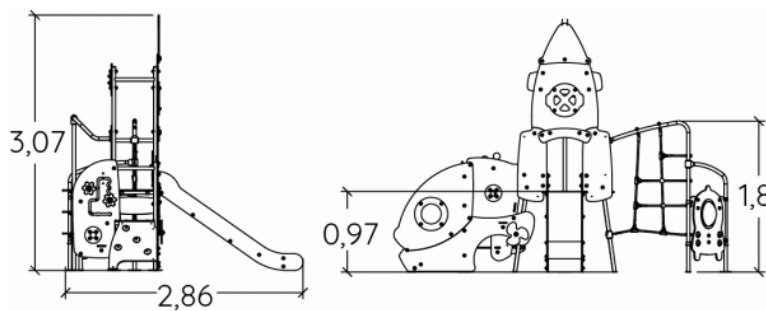
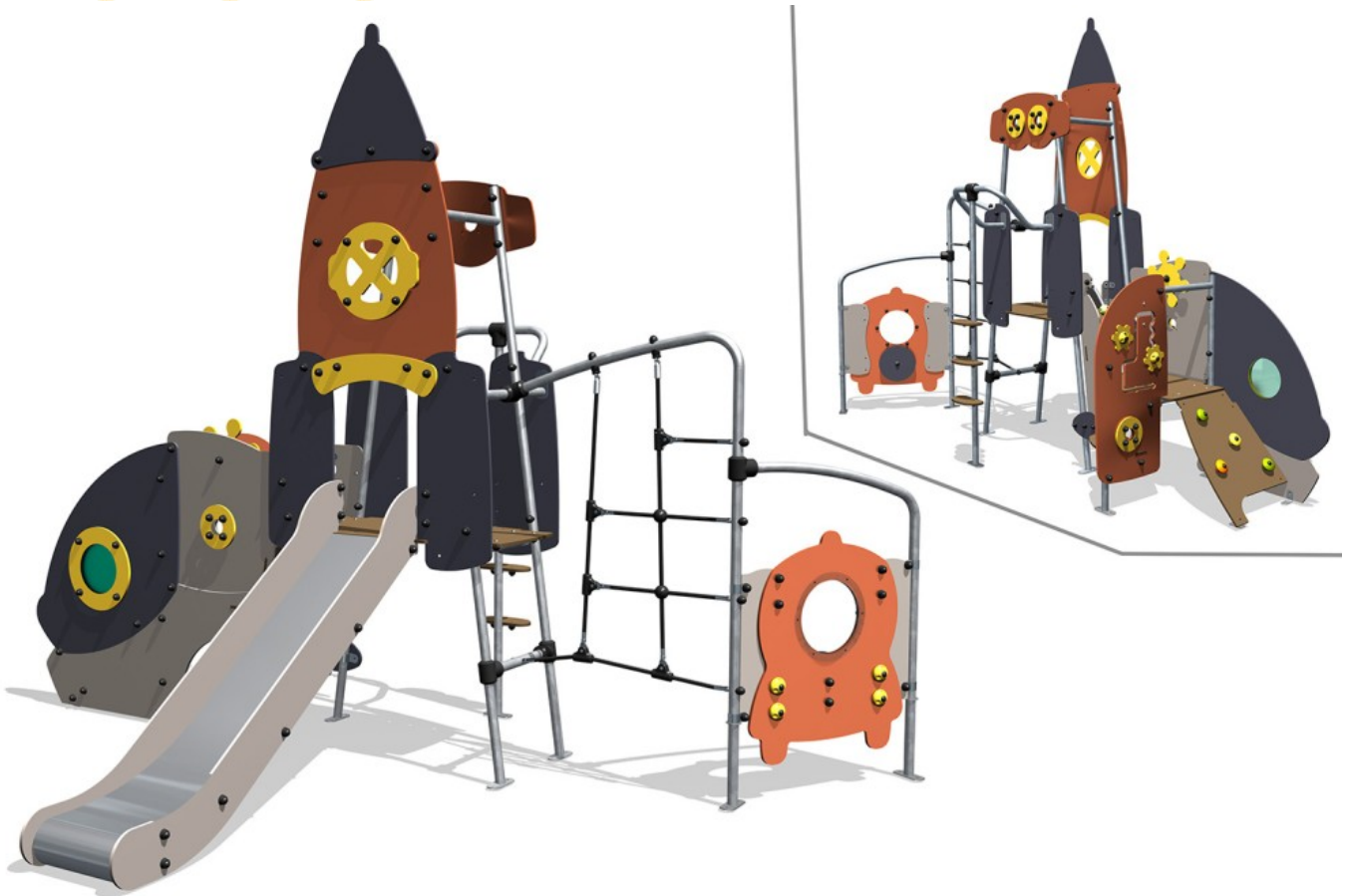
1,8m



1 = 4,02m  
2 = 2,86m  
3 = 3,07m



Physical inclusion  
Sensory inclusion  
Cognitive inclusion



Play value :

14

climbing



x1

role play



x3

sliding



x1

meeting



x2

handling



x1

tactile stimulation



x1

visual stimulation



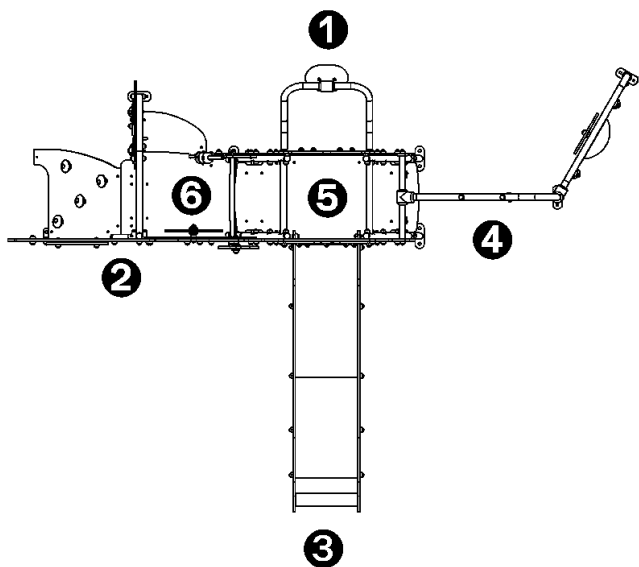
x2

climbing



x3

## Components

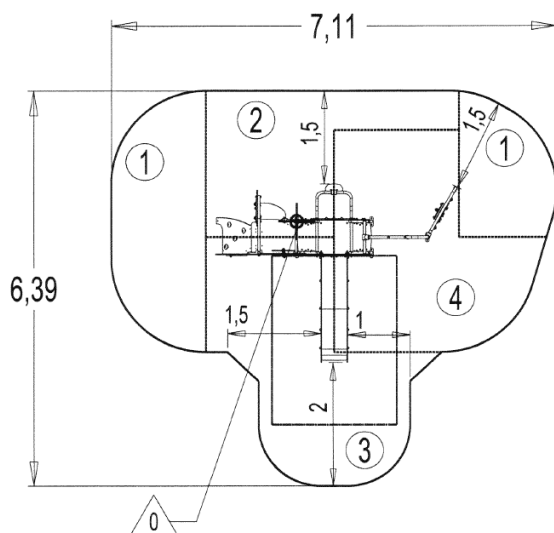


- ❶ Coconut tree mast
- ❷ Cockpit panel
- ❸ Slide Ht: 97cm
- ❹ Net
- ❺ Platform Ht : 97cm
- ❻ Platform Ht : 60cm

## Installation of equipment

**IMPORTANT:** It is essential to refer to the installation instructions for information on the size of the safety areas.

-  Impact area (minimum normative surface)
-  Free space



Point de Référence  
Setting Out Point  
Punto de referencia  
Bezugspunkt  
Referentiepunt



1	0,6m	8,5m <sup>2</sup>
2	0,97m	6,5m <sup>2</sup>
3	1m	9m <sup>2</sup>
4	1,8m	9m <sup>2</sup>



2



08h00



0.4m<sup>3</sup>



32.5m<sup>2</sup>



255kg



14kg

