



2+



16



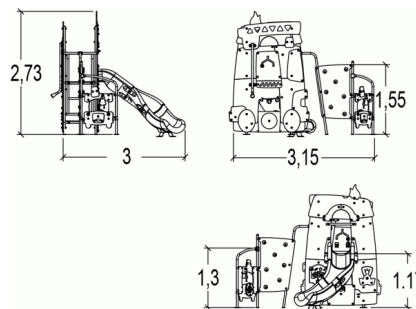
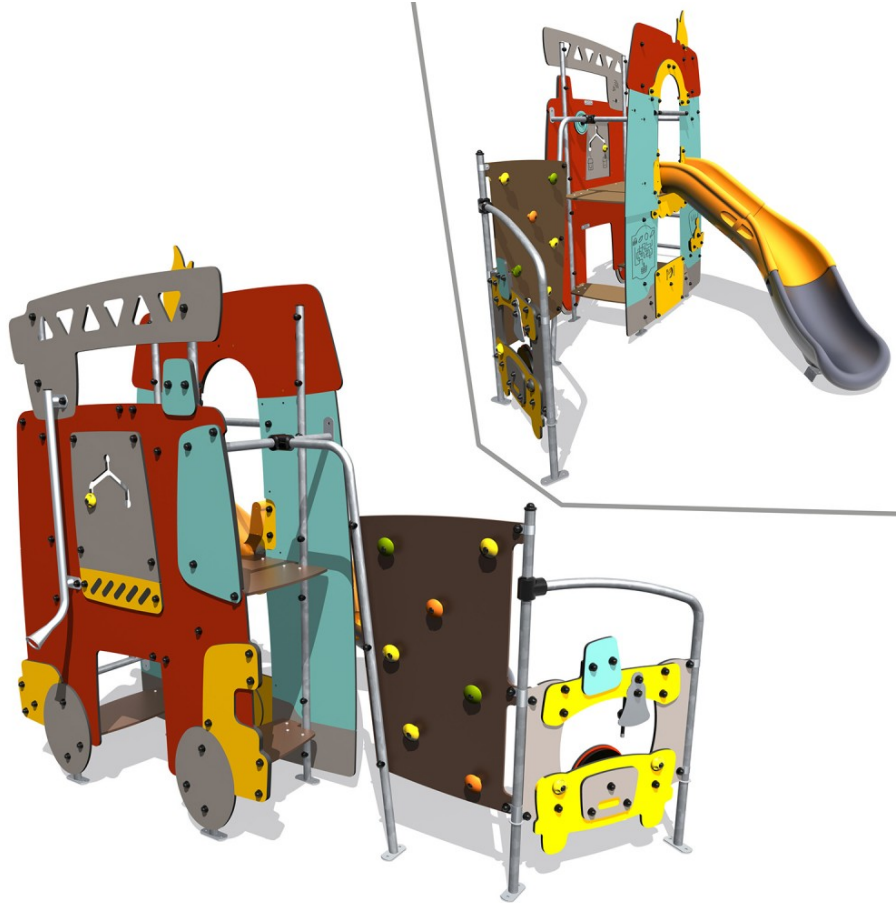
1,8m



1 = 3,15m
2 = 3m
3 = 2,73m



Physical inclusion
Sensory inclusion
Cognitive inclusion



Play value :

14

climbing



x1

role play



x2

sliding



x1

meeting



x2

resting



x1

handling



x1

hiding



x1

sound stimulation



x1

tactile stimulation



x1

visual stimulation



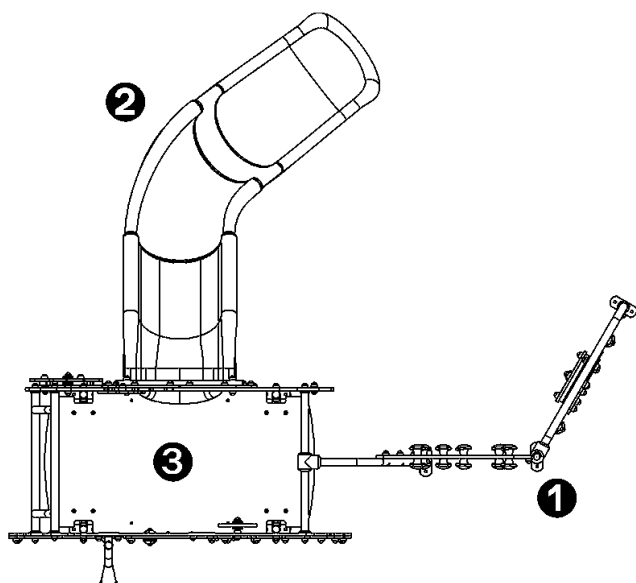
x2

climbing



x1

Components

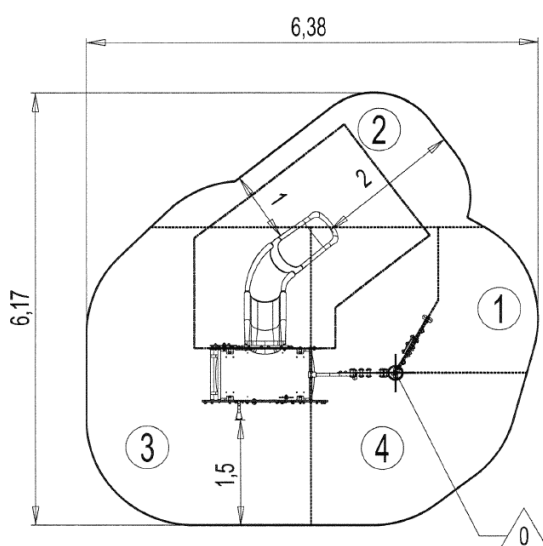


- ❶ Ambulance play panel
- ❷ Polyethylene slide Ht : 117cm
- ❸ Platform Ht : 1.17m-1.8m

Installation of equipment

IMPORTANT: It is essential to refer to the installation instructions for information on the size of the safety areas.

- Impact area (minimum normative surface)
- Free space



Point de Référence
Setting Out Point
Punto de referencia
Bezugspunkt
Referentiepunt



1	0,6m	3m ²
2	1m	5,5m ²
3	1,17m	12,5m ²
4	1,8m	9m ²



2



08h00



0.3m³



30m²



317kg



20kg

EN

1176