



2+



16



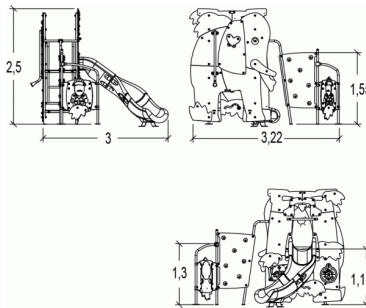
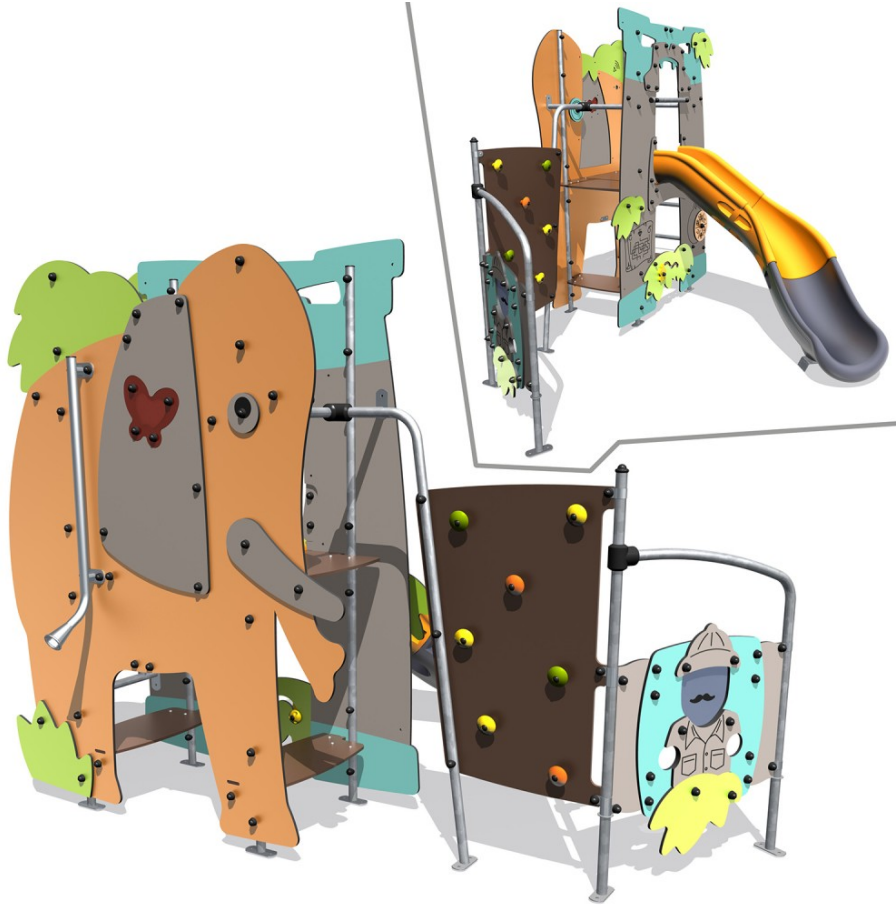
1,8m



1 = 3,22m  
2 = 3m  
3 = 2,5m



Physical inclusion  
Sensory inclusion  
Cognitive inclusion



Play value :

14

climbing



x1

role play



x2

sliding



x1

meeting



x2

resting



x1

handling



x1

hiding



x1

sound stimulation



x1

tactile stimulation



x1

visual stimulation



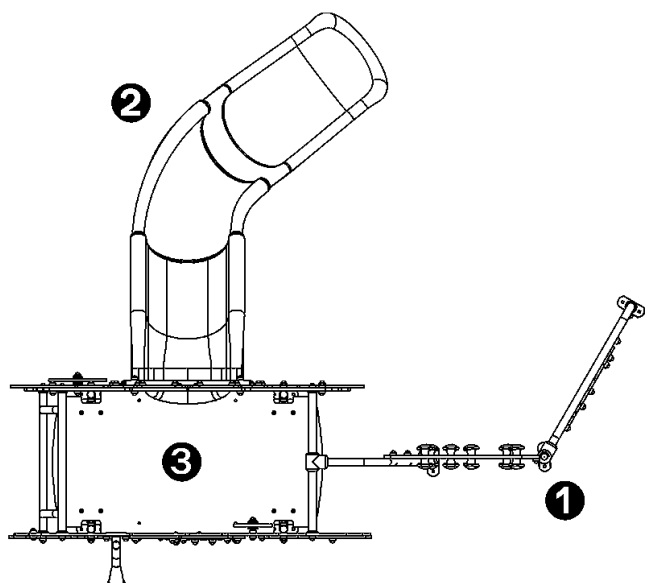
x2

climbing



x1

## Components

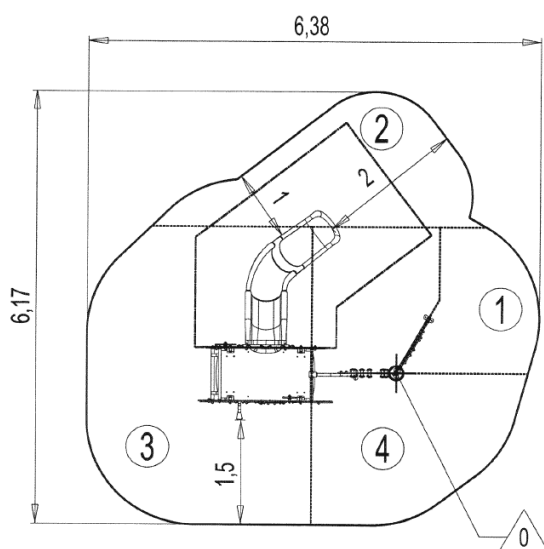


- ❶ Explorer panel
- ❷ Polyethylene slide Ht : 117cm
- ❸ Platform Ht : 1.17m-1.8m

## Installation of equipment

**IMPORTANT:** It is essential to refer to the installation instructions for information on the size of the safety areas.

-  Impact area (minimum normative surface)
-  Free space



1	0,6m	3m <sup>2</sup>
2	1m	5,5m <sup>2</sup>
3	1,17m	12,5m <sup>2</sup>
4	1,8m	9m <sup>2</sup>

Point de Référence  
Setting Out Point  
Punto de referencia  
Bezugspunkt  
Referentiepunt



2

08h00

0.3m<sup>3</sup>

30m<sup>2</sup>

324kg

20kg

EN

1176