



2+



25



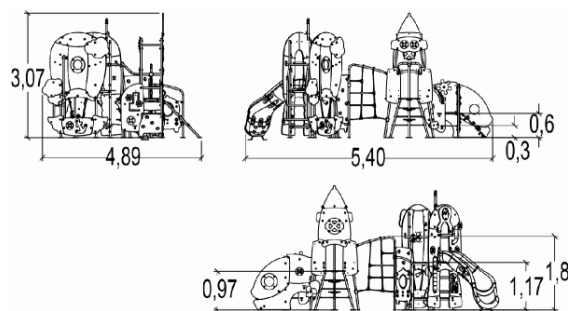
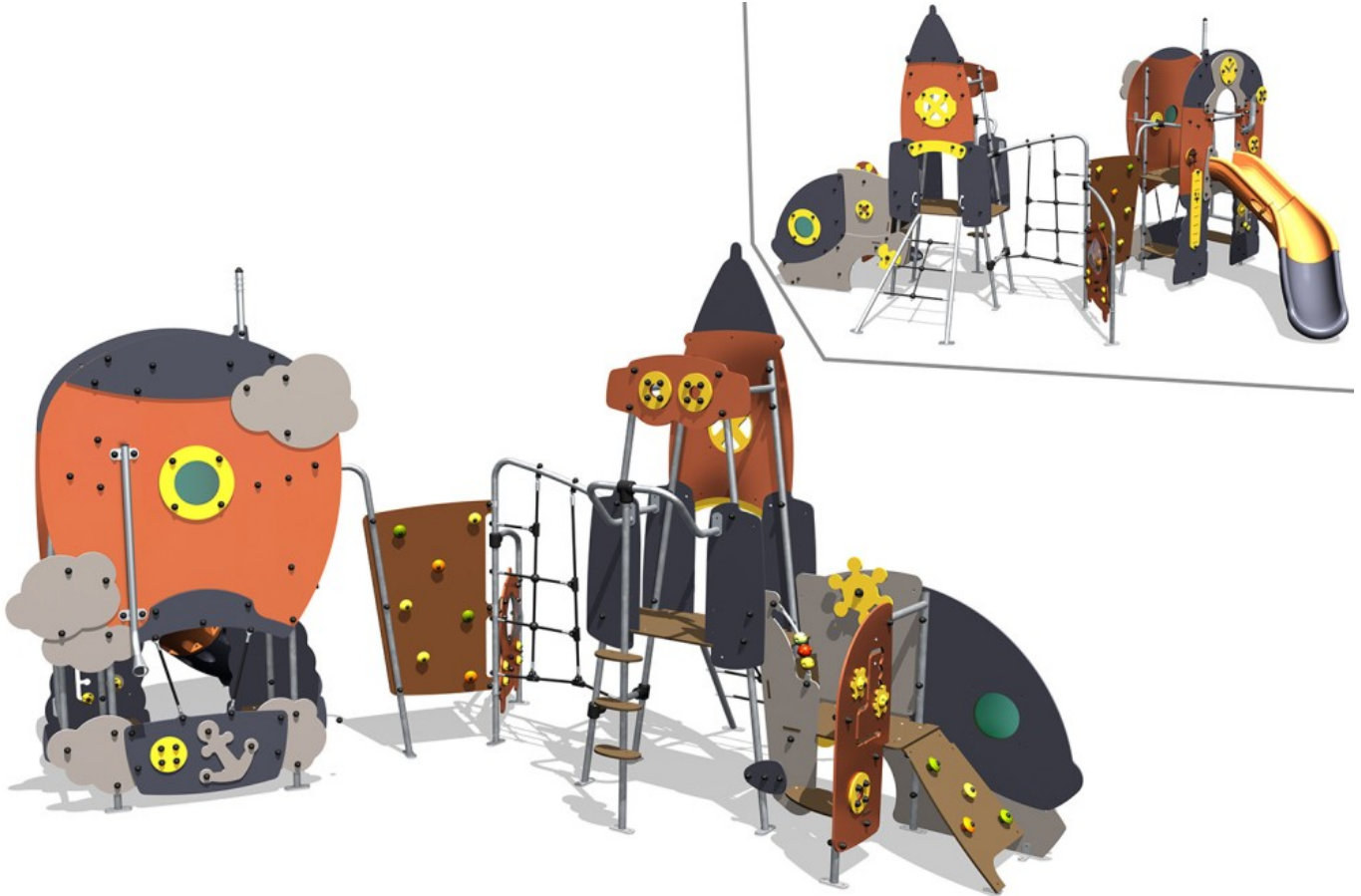
1,8m



1 = 5,4m  
2 = 4,89m  
3 = 3,07m



Physical inclusion  
Sensory inclusion  
Cognitive inclusion



Play value :

25

climbing



x2

role play



x4

sliding



x1

meeting



x3

resting



x1

handling



x2

hiding



x1

sound stimulation



x1

tactile stimulation



x2

visual stimulation



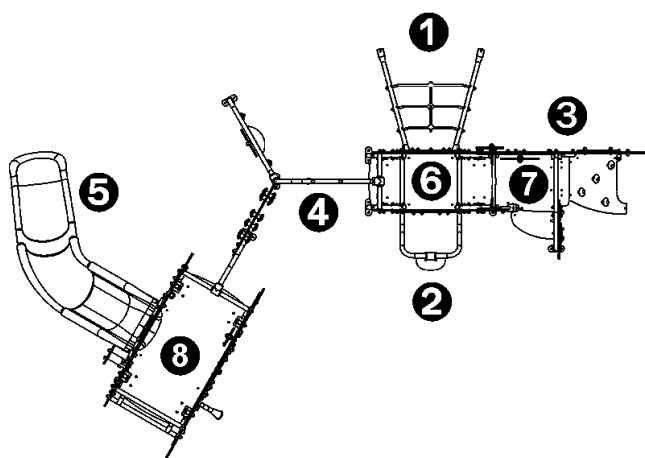
x3

climbing



x5



## Components

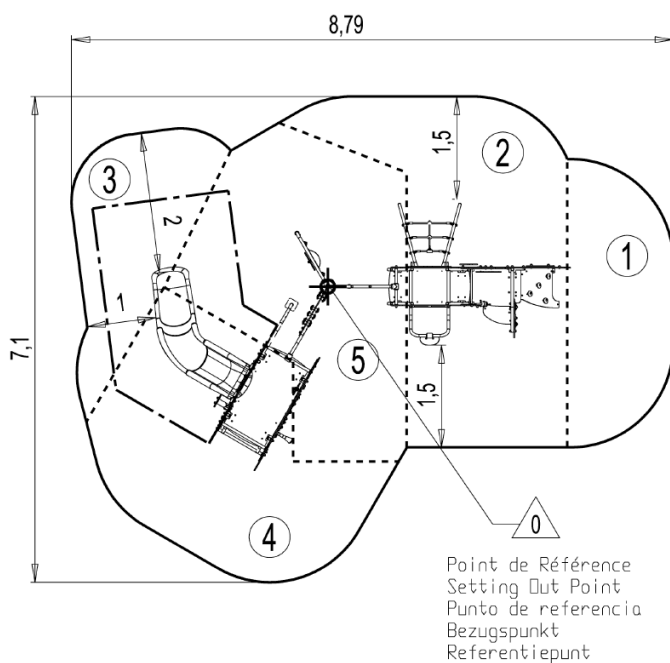




- ❶ Tilted net Ht : 97cm
- ❷ Coconut tree mast
- ❸ Cockpit panel
- ❹ Net
- ❺ Polyethylene slide Ht : 117cm
- ❻ Platform Ht : 97cm
- ❼ Platform Ht : 60cm
- ❽ Platform Ht : 1.17m-1.8m

## Installation of equipment

**IMPORTANT:** It is essential to refer to the installation instructions for information on the size of the safety areas.

-  Impact area (minimum normative surface)
-  Free space



		
1	0,6m	5,5m <sup>2</sup>
2	0,97m	13m <sup>2</sup>
3	1m	5,5m <sup>2</sup>
4	1,17m	11m <sup>2</sup>
5	1,8m	11,5m <sup>2</sup>



3

16h00

0.5m<sup>3</sup>

46.5m<sup>2</sup>

538kg

20kg

EN

1176