


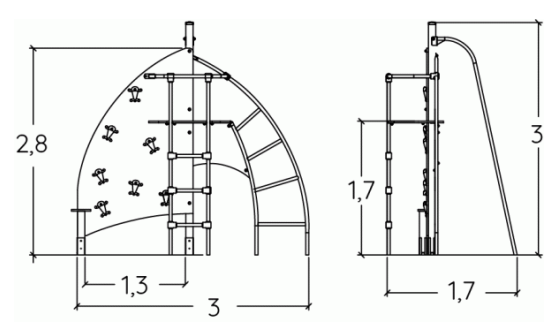
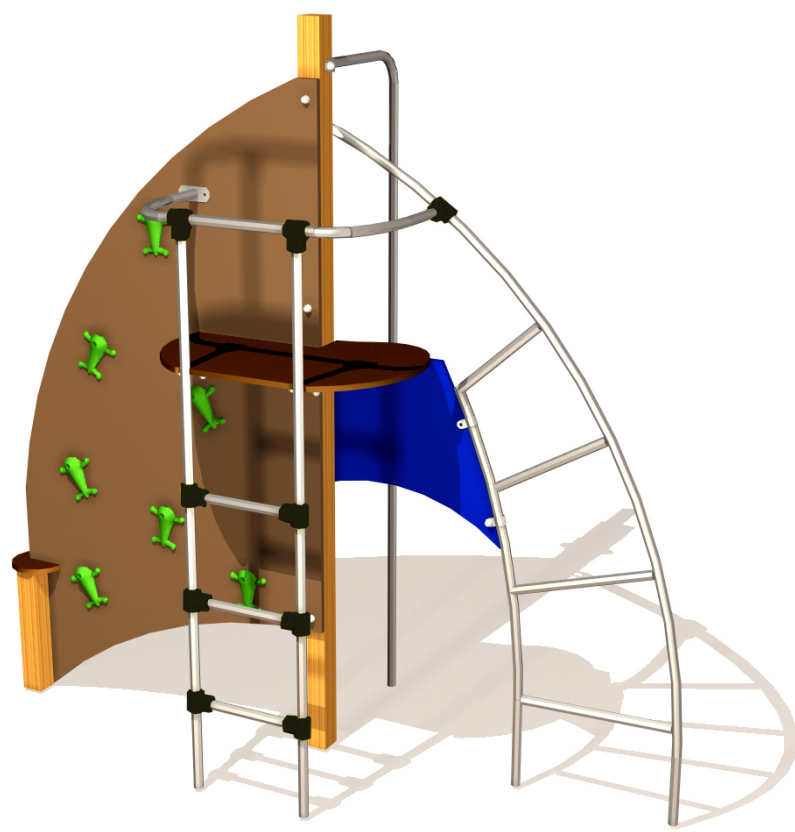
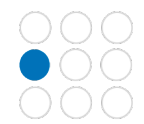



 **3+**  
 **11**  
 **2,7m**  

 1 = 3,09m  
 2 = 1,68m  
 3 = 3m



Physical inclusion  
Sensory inclusion  
Cognitive inclusion

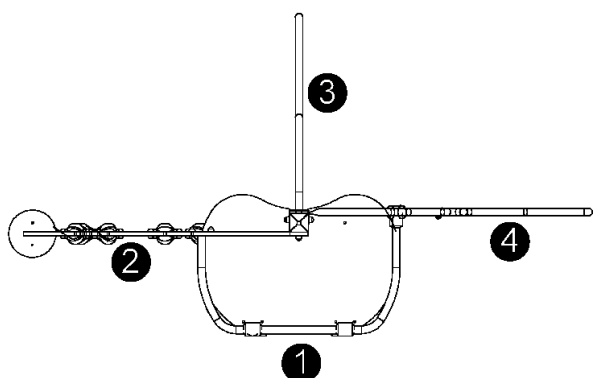


**Play value :** **5**

- |   |   |   |   |   |
|---|---|---|---|---|
| role play   | sliding   | meeting   | hanging   | balancing   |
|  |  |  |  |  |
| <b>x1</b>   | <b>x1</b>   | <b>x1</b>   | <b>x1</b>   | <b>x1</b>   |



## Components

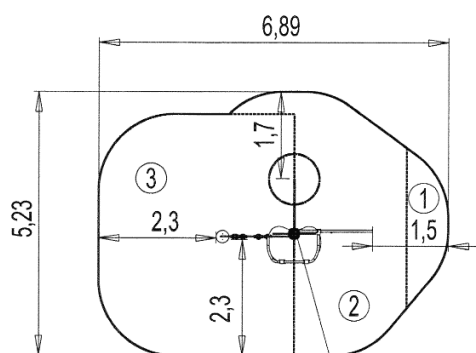
- ① Ladder
- ② Climbing wall
- ③ Fireman's pole
- ④ Arched ladder



## Installation of equipment

**IMPORTANT:** It is essential to refer to the installation instructions for information on the size of the safety areas.

-  Impact area (minimum normative surface)
-  Free space



Point de Référence  
Setting Out Point  
Punto de referencia  
Bezugspunkt  
Referentiepunt



1	0,6m	2m <sup>2</sup>
2	1,8m	11m <sup>2</sup>
3	2,7m	18m <sup>2</sup>



2



06h15



0.3m<sup>3</sup>



31m<sup>2</sup>



143kg



42kg

EN

1176