


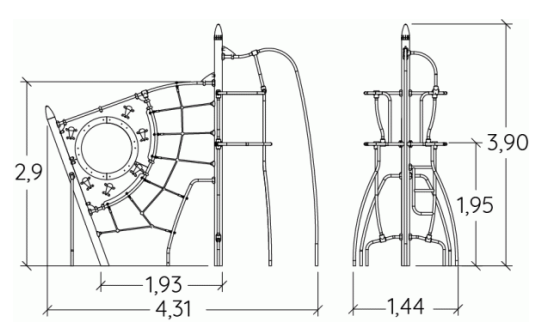
 **7+**
 **11**
 **2,9m**






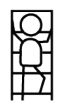
 1 = 4,31m
 2 = 1,44m
 3 = 3,9m



Motor inclusion
 Sensory inclusion
 Mental inclusion



Play value : **5**

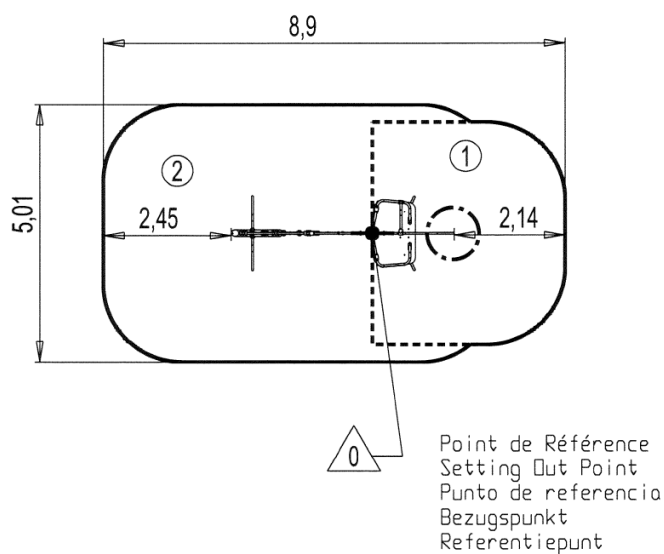
climbing	sliding	meeting	climbing
			
x1	x1	x1	x2

Installation of equipment

IMPORTANT: It is essential to refer to the installation instructions for information on the size of the safety areas.

———— Impact area (minimum normative surface)

- - - - - Free space



1	2,45m	15,5m ²
2	2,9m	26,5m ²



2



06h15



0.32m³



42m²



204kg



30kg

EN

1176