



3+



40



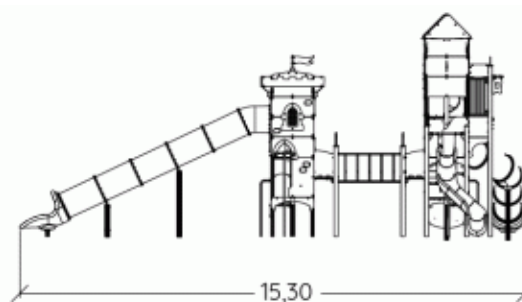
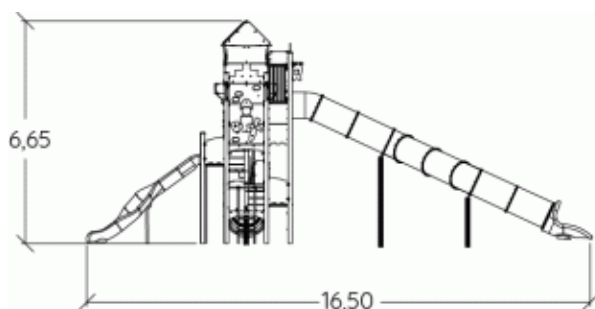
2,37m



1 = 16,51m
2 = 15,29m
3 = 6,65m



Physical inclusion
Sensory inclusion
Cognitive inclusion



Play value : **27**

climbing



x1

role play



x4

sliding



x4

meeting



x3

hiding



x2

taking shelter



x3

tactile stimulation



x1

visual stimulation



x3

climbing



x5



getting across

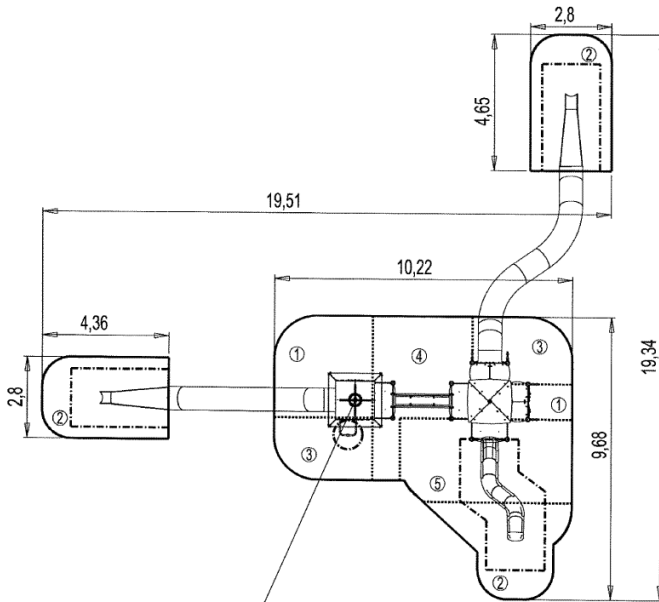


x1

Installation of equipment

IMPORTANT: It is essential to refer to the installation instructions for information on the size of the safety areas.

-  Impact area (minimum normative surface)
-  Free space



Point de Référence
Setting Out Point
Punto de referencia
Bezugspunkt



| | | |
|---|-------|--------------------|
| 1 | 0,97m | 15,5m ² |
| 2 | 1m | 35m ² |
| 3 | 1,17m | 14,5m ² |
| 4 | 1,77m | 14m ² |
| 5 | 2,37m | 17m ² |



4



5.1m³



96m²



3826kg



700kg

