



3+



25



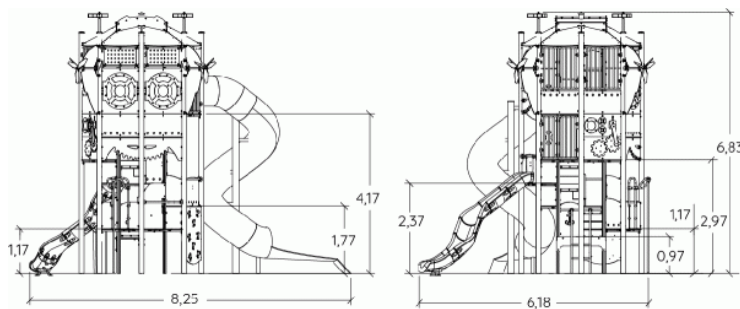
2,37m



1 = 6,18m  
2 = 8,25m  
3 = 6,8m



Physical inclusion  
Sensory inclusion  
Cognitive inclusion



Play value :

19

climbing



x1

role play



x3

sliding



x3

meeting



x1

handling



x1

hiding



x1

taking shelter



x1

thinking



x1

tactile stimulation



x1

visual stimulation



x3



climbing

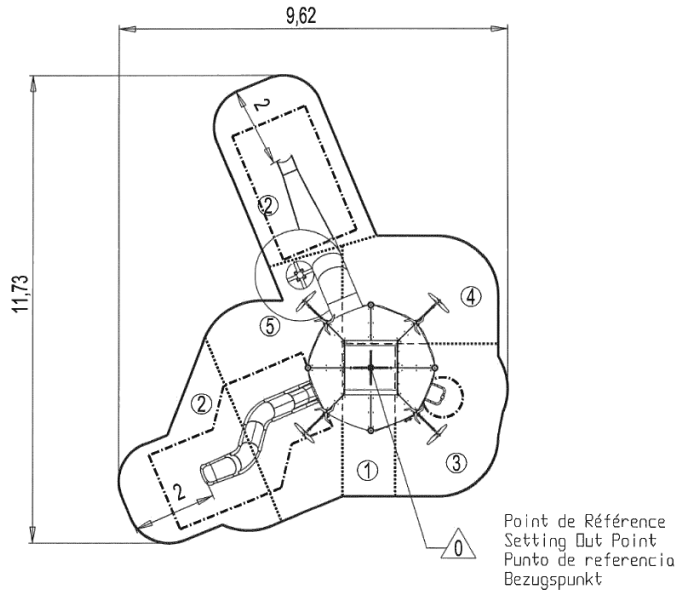




x3

## Installation of equipment

**IMPORTANT:** It is essential to refer to the installation instructions for information on the size of the safety areas.

-  Impact area (minimum normative surface)
-  Free space



		
1	0,97m	5m <sup>2</sup>
2	1m	23m <sup>2</sup>
3	1,17m	9,5m <sup>2</sup>
4	1,77m	10m <sup>2</sup>
5	2,37m	16m <sup>2</sup>



4



99h00



2.7m<sup>3</sup>



63.5m<sup>2</sup>



3090kg



600kg

