



3+



12



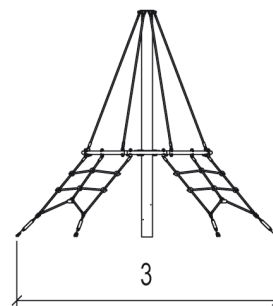
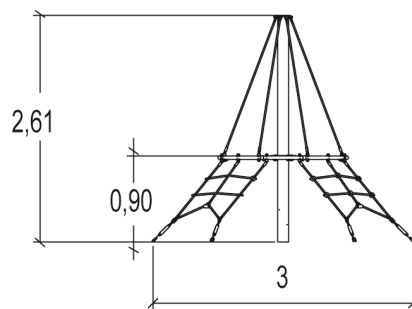
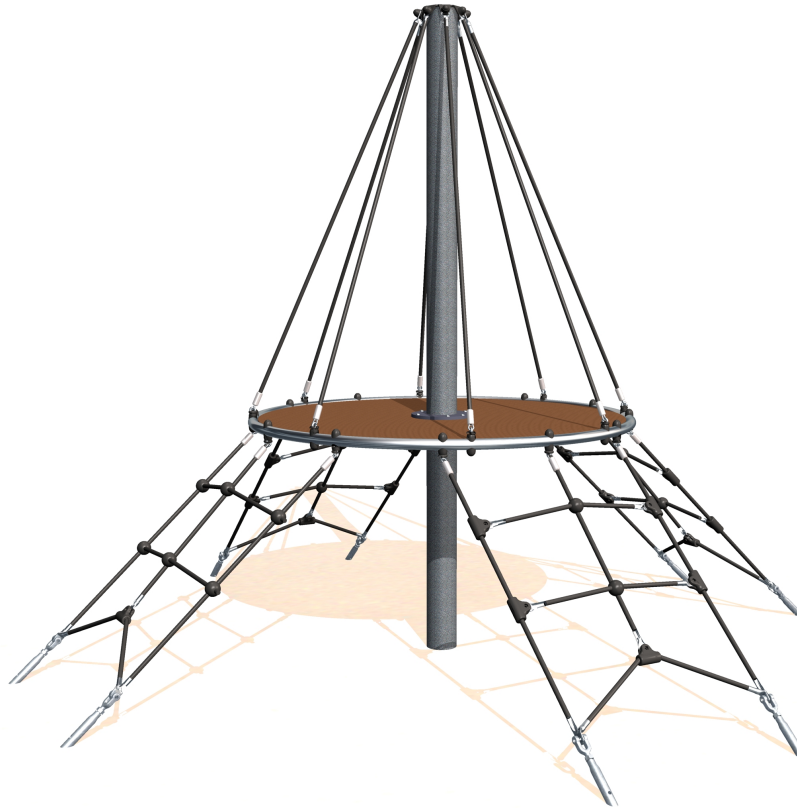
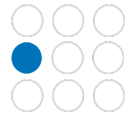
0,97m



1 = 3m  
2 = 3m  
3 = 2,6m



Physical inclusion  
Sensory inclusion  
Cognitive inclusion

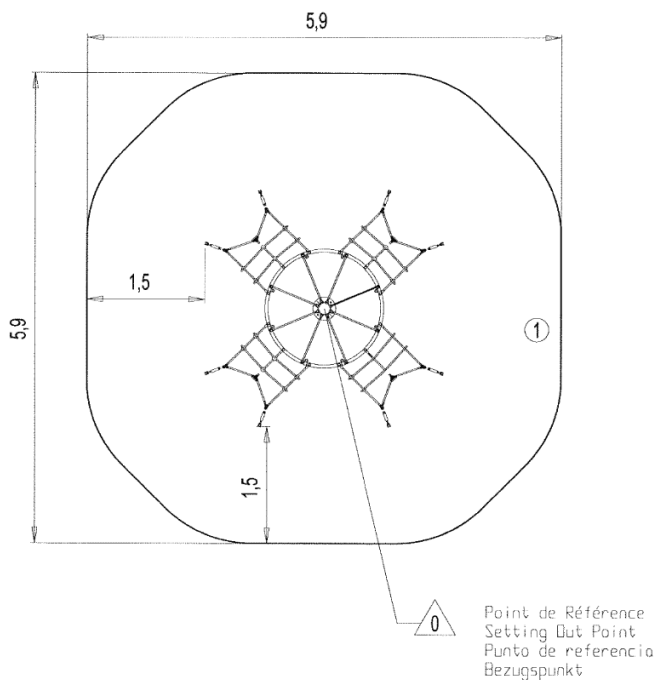


## Installation of equipment

**IMPORTANT:** It is essential to refer to the installation instructions for information on the size of the safety areas.

———— Impact area (minimum normative surface)

- - - - - Free space



1	0,97m	31m <sup>2</sup>
---	-------	------------------



2



02h00



1m<sup>3</sup>



31m<sup>2</sup>



102kg



43kg

