



2+



8



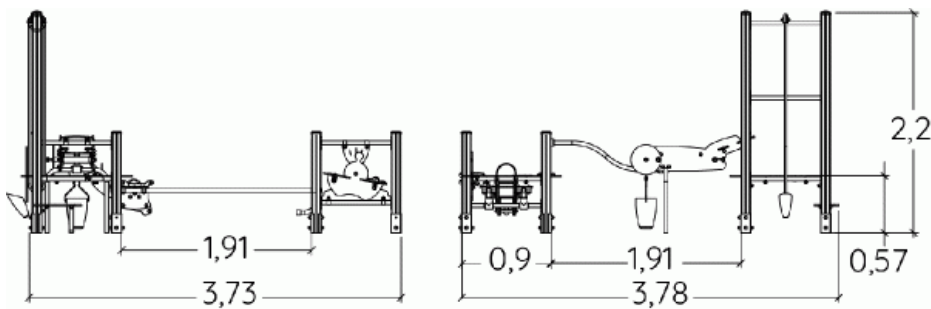
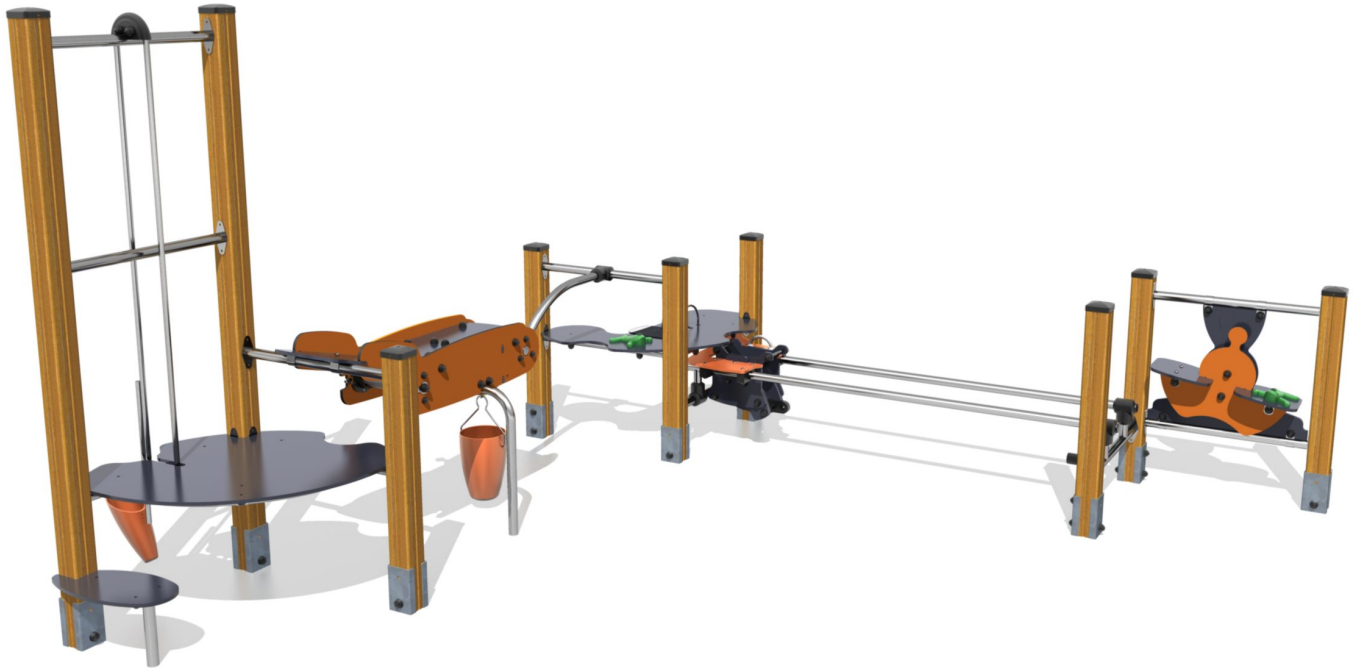
0,6m



1 = 3,8m
2 = 3,8m
3 = 2,2m



Physical inclusion
Sensory inclusion
Cognitive inclusion



Play value : **22**

role play



x1

meeting



x2

handling



x7

thinking



x4

tactile stimulation



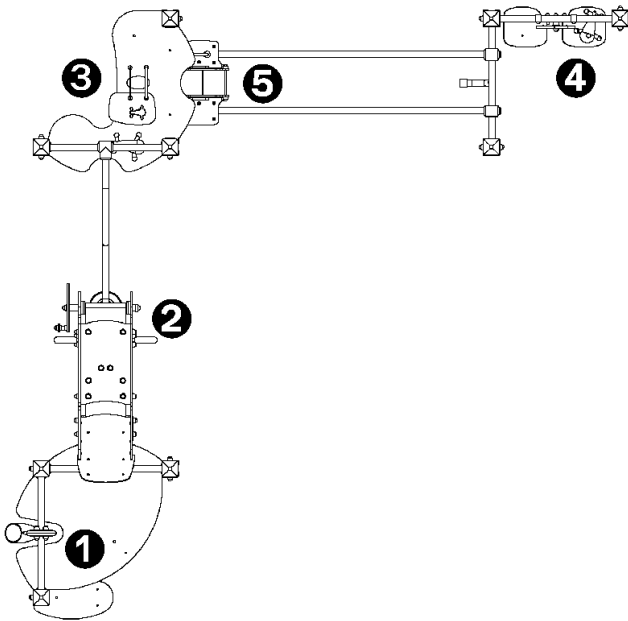
x7

climbing



x1



Components

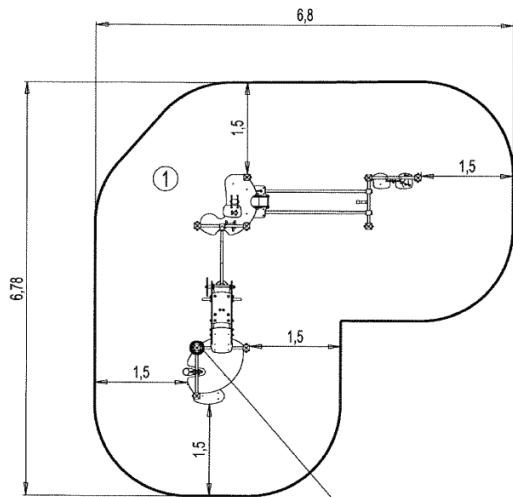


- ① Crane
- ② Conveyor belt
- ③ Stencil
- ④ Scale
- ⑤ Transporter



Installation of equipment

IMPORTANT: It is essential to refer to the installation instructions for information on the size of the safety areas.

-  Impact area (minimum normative surface)
-  Free space



0
Point de Référence
Setting Out Point
Punto de referencia
Bezugspunkt

| | | |
|---|---|---|
| |  |  |
| 1 | <0,6m | 35m ² |



2



03h00



0.3m³



35m²



247kg



21kg

