



1-8



6



0m



1 = 1,22m
2 = 1,2m
3 = 0,53m



Physical inclusion
Sensory inclusion
Cognitive inclusion



Play value : **3**

role play



x1

meeting



x1

resting



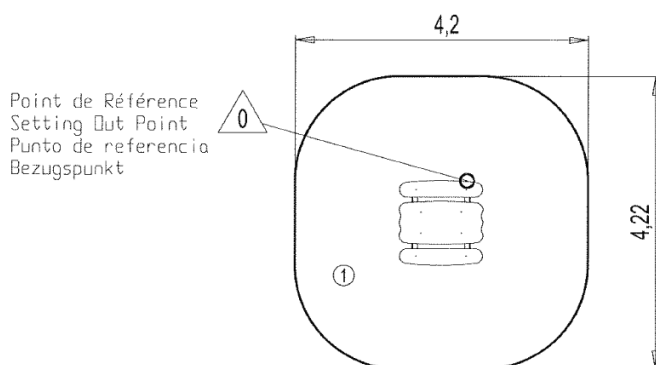
x1

Installation of equipment

IMPORTANT: It is essential to refer to the installation instructions for information on the size of the safety areas.

———— Impact area (minimum normative surface)

- - - - Free space



1	0,00m	16m ²



2



01h00



0.2m³



15.8m²



40kg



10kg

