


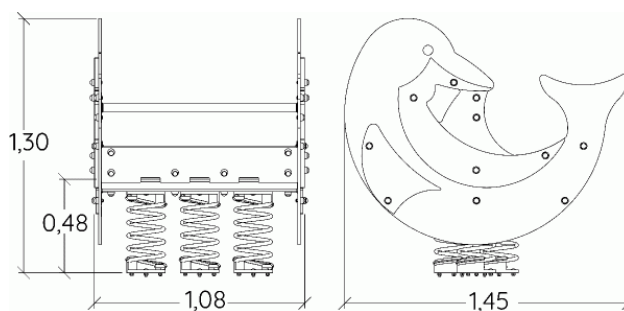
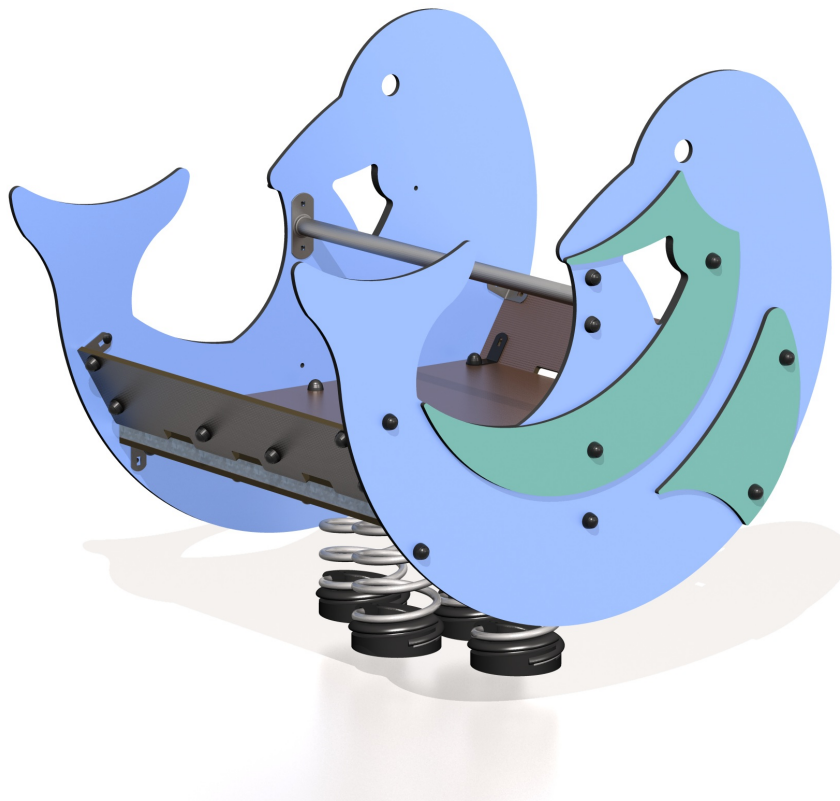
 **2+**
 **6**
 **0,6m**



 1 = 1,45m
 2 = 1,08m
 3 = 1,3m



Physical inclusion
Sensory inclusion
Cognitive inclusion



Play value : **4**

role play



x1

meeting



x1

balancing



x1


Oscillate



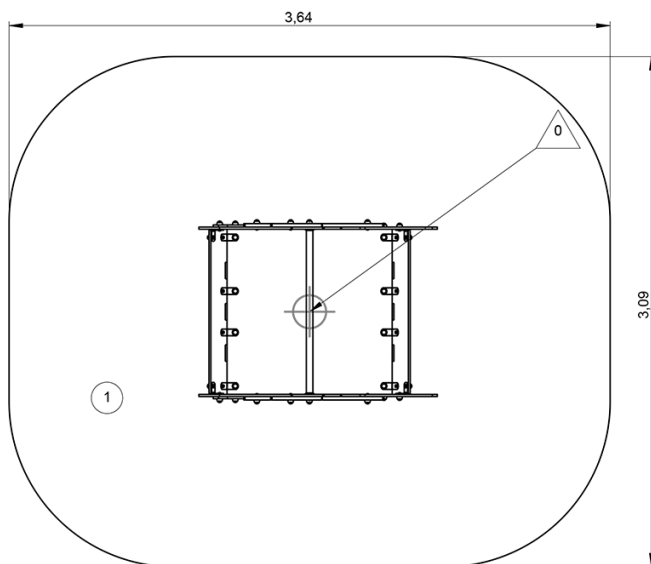
x1



Installation of equipment

IMPORTANT: It is essential to refer to the installation instructions for information on the size of the safety areas.

 Impact area (minimum normative surface)

 Free space



		
1	0,6m	10,5m ²



2



03h45



0m³



10.5m²



161kg



106kg

