



4+



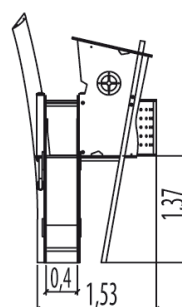
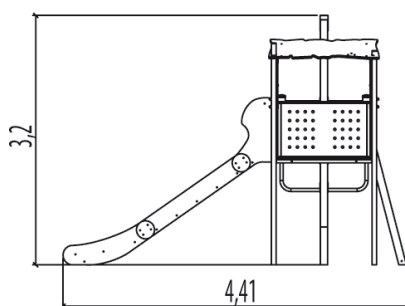
10



1,37m



1 = 4,4m 2 = 1,9m 3 = 3,2m



Play value

sliding



x1

climbing



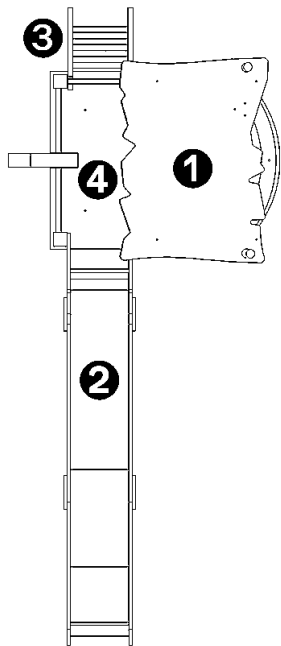
x1

meeting / role
play



x1

Number of play elements: 3

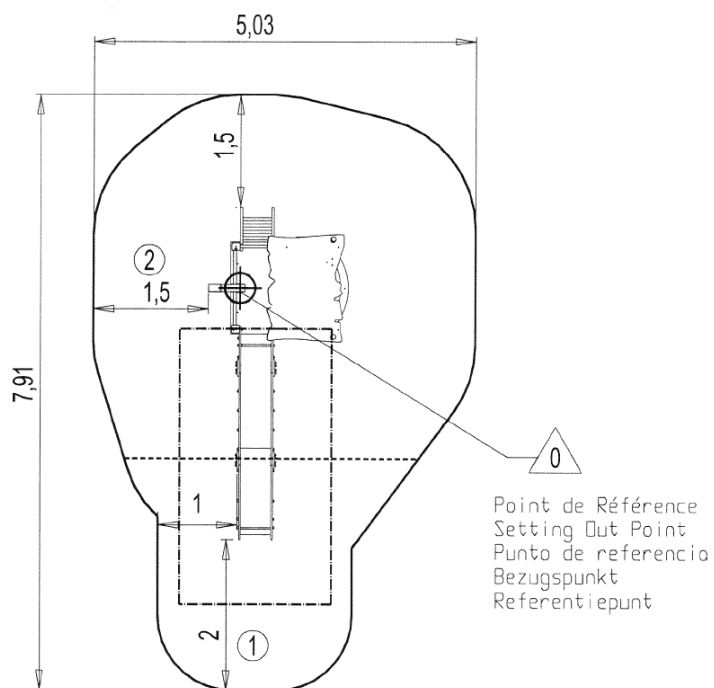




- ① The fisherman's hut HT: 1.37m - G2701
- ② Slide HT: 1.37m - G2720
- ③ Ladder HT: 1.37m - G2710
- ④ Balcony - G2740

Installation of equipment

Impact area =

-  Impact area
-  Free space



		
1	1m	8,5m ²
2	1,37m	22m ²

