

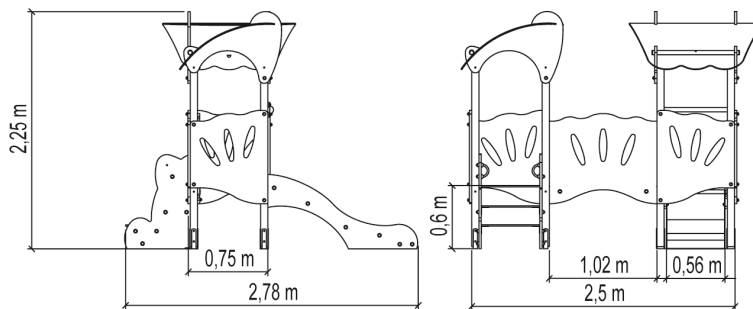


0.5-5

10

1m

1 = 2,9m 2 = 2,75m 3 = 2,25m



### Play value

sliding



x1

climbing



x1

getting across



x1

meeting / role play



x1

Number of play elements: 4

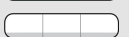
### Accessibility



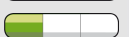
Motor disability

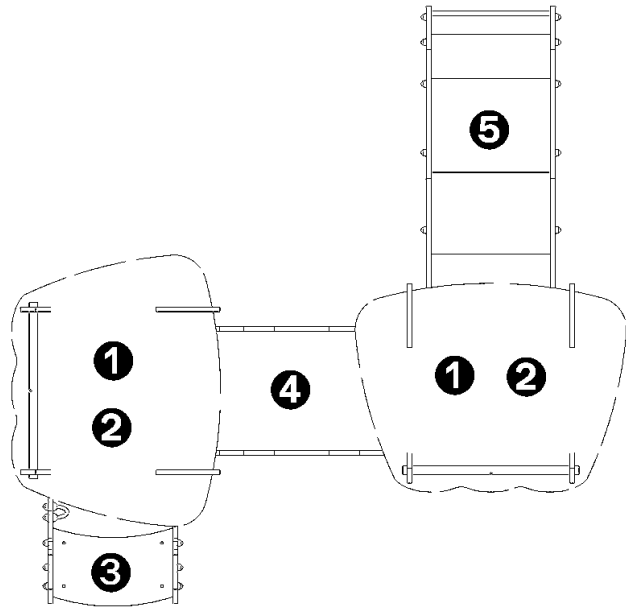


Sensorial Disabilities



Learning Disabilities



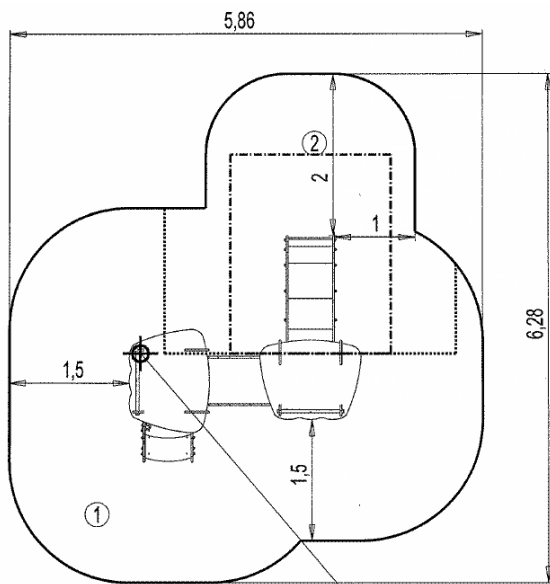


- ① Platform HT: 0.6m - G3924
- ② Wall - G3925
- ③ Steps - G3926
- ④ Walkway - G3928
- ⑤ Slide HT: 0.6m - G3930

## Installation of equipment

Impact area =

- Impact area
- Free space



Point de Référence  
Setting Out Point  
Punto de referencia  
Bezugspunkt

| 1 | 0,6m | 17,5m <sup>2</sup> |
|---|------|--------------------|
| 2 | 1m   | 10,5m <sup>2</sup> |

**2**

**03h15**

**0.22m<sup>3</sup>**

**28m<sup>2</sup>**

**212kg**

**12kg**

|      |
|------|
| EN   |
| 1176 |

2007-09-06