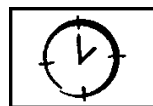




1=0.48m 2=0.36m 3=0.9m

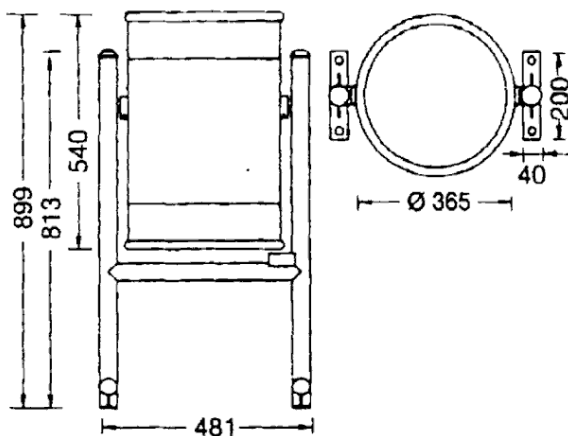
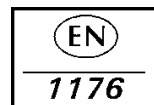


**INSTALLATION**



00h53

**CERTIFICATIONS**



**Kaal = 8 kg**

**Raskeim detail = 0 kg**