



2+



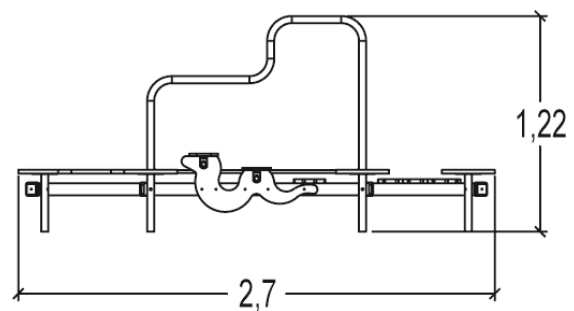
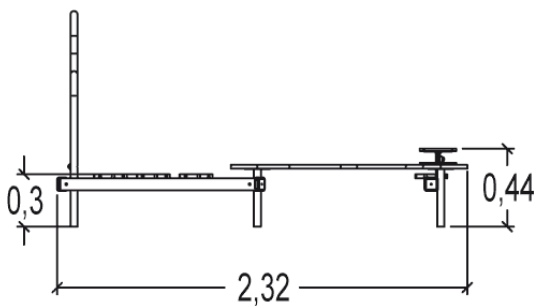
12



0,45m



1 = 2,44m 2 = 2,12m 3 = 1,12m



## Play value

balancing



crawling



meeting / role play



## Accessibility



Motor disability

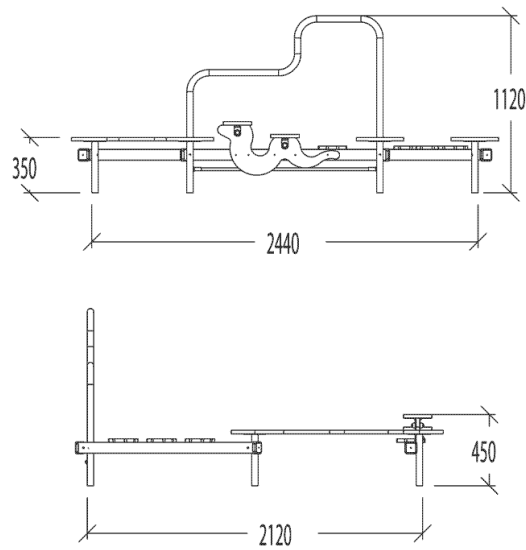


Sensorial Disabilities



Learning Disabilities

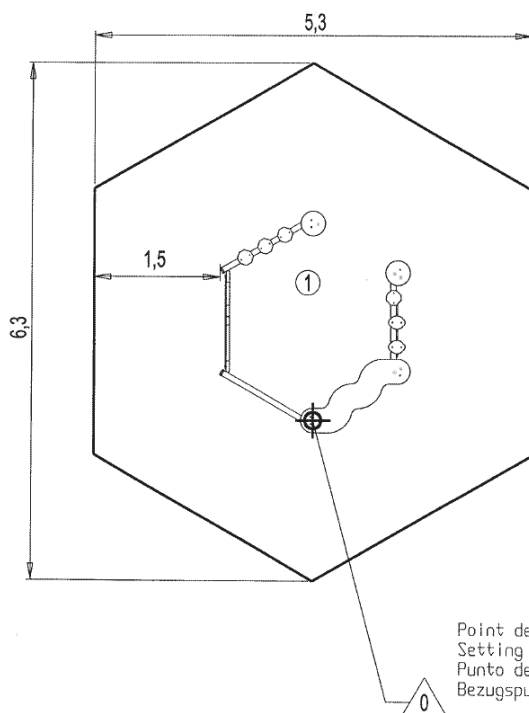






## Installation of equipment

Impact area =

 Impact area  
 Free space



		
1	0,45m	25m <sup>2</sup>



2



02h00



0.2m<sup>3</sup>



25m<sup>2</sup>



34kg



9kg



*Proludic*

2006-04-01