



4+



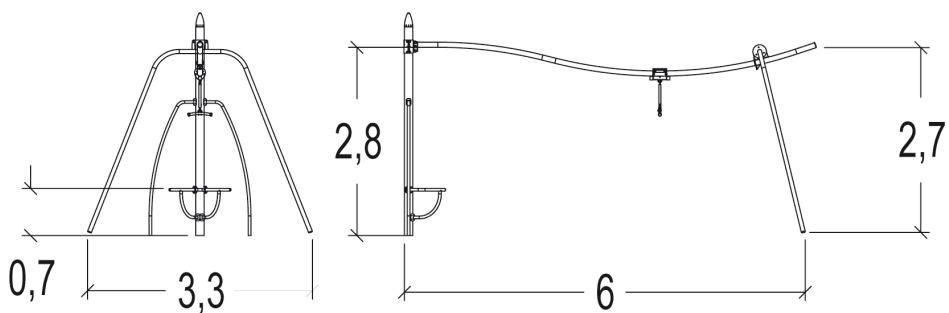
2



1m



1 = 6,3m 2 = 3,14m 3 = 3,32m



Accessibility



Motor disability

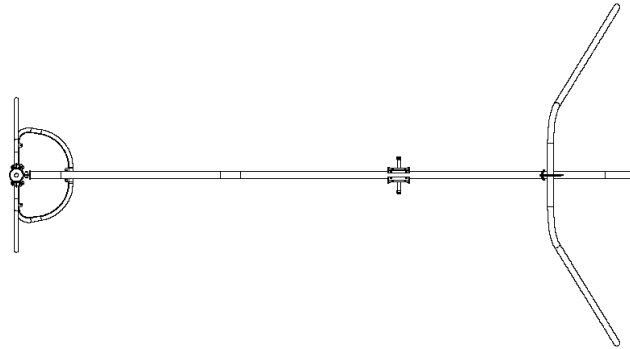


Sensorial Disabilities



Learning Disabilites

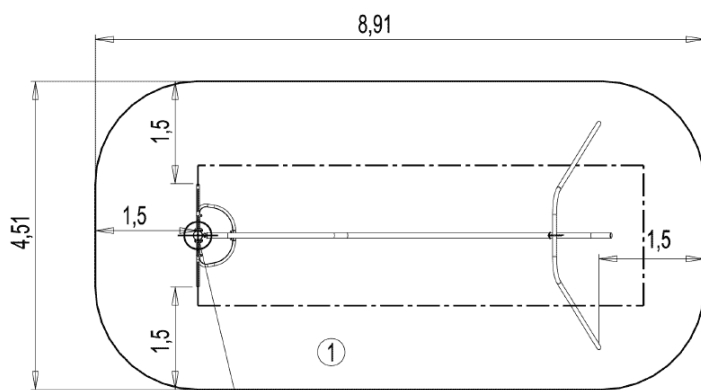






Installation of equipment

Impact area =

-  Impact area
-  Free space



① Point de Référence
Setting Out Point
Punto de referencia
Bezugspunkt

		
1	1m	38m ²



2



10h00



0.2m³



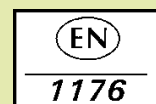
40m²



181kg



39kg



Proludic

2008-03-12