


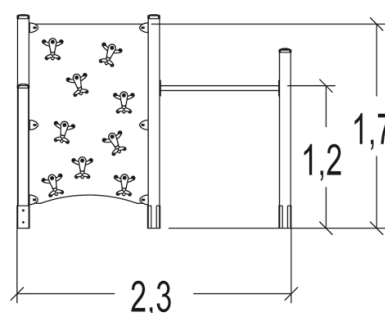
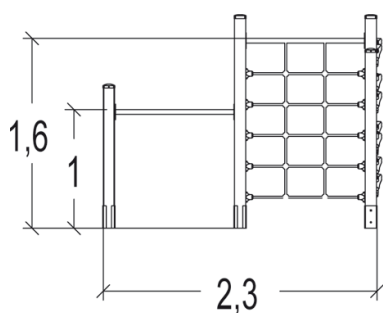
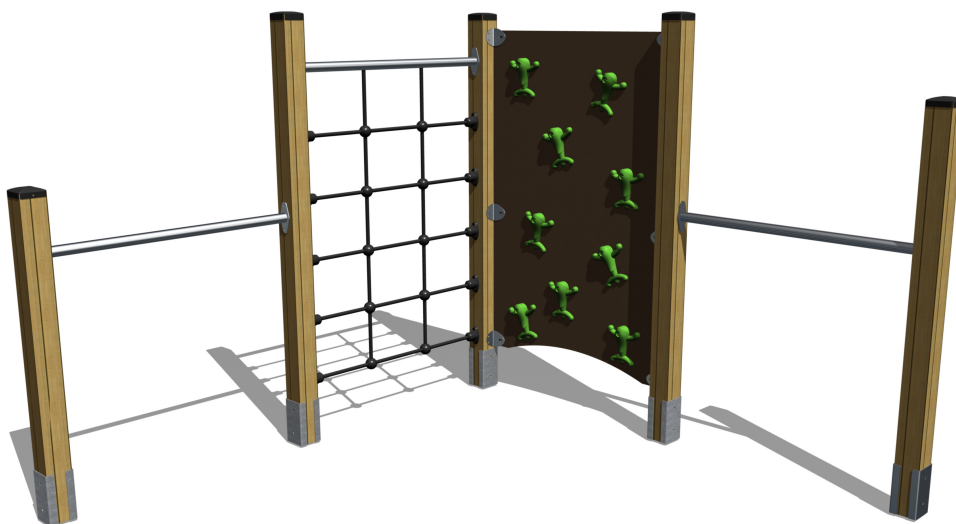
 **2+**
 **8**
 **1,7m**



 1 = 2,3m
 2 = 2,3m
 3 = 1,8m



Physical inclusion
Sensory inclusion
Cognitive inclusion



Play value : **3**

climbing



x1

climbing



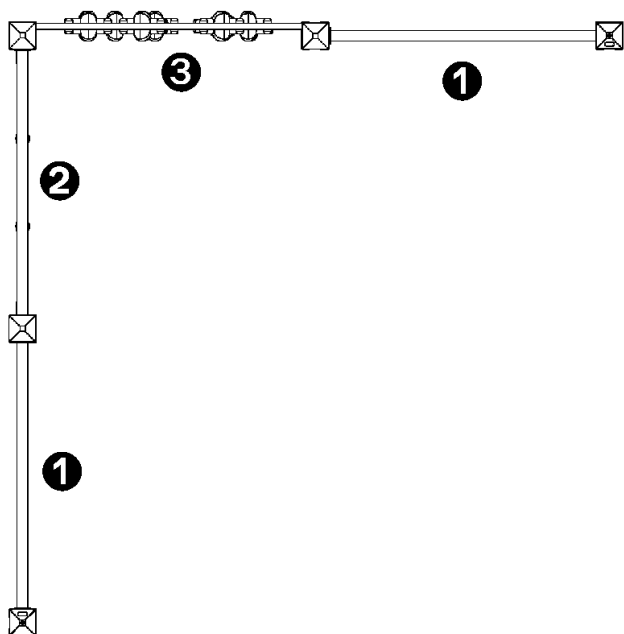
x1

getting across



x1

Components

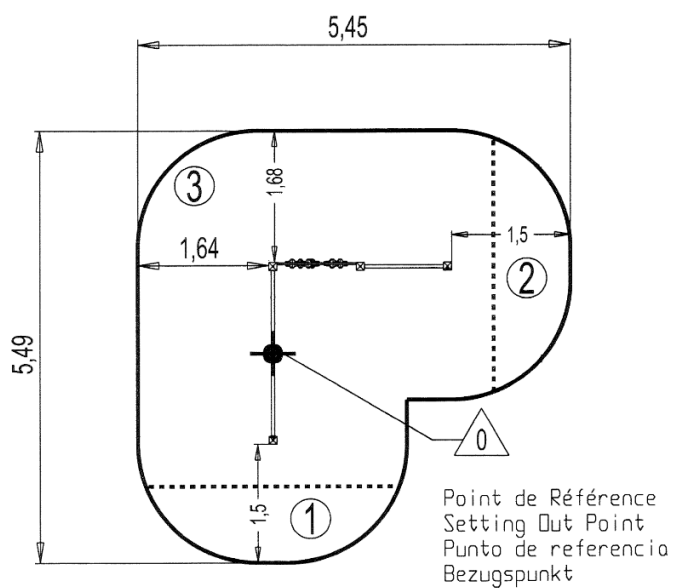


- ① Horizontal bar HT: 1m
- ② Net
- ③ Climbing wall L1 h: 1.7m

Installation of equipment

IMPORTANT: It is essential to refer to the installation instructions for information on the size of the safety areas.

-  Impact area (minimum normative surface)
-  Free space



1	1m	2,5m ²
2	1,2m	2,5m ²
3	1,7m	18,5m ²



2



03h30



0.2m³



23.5m²



120kg



28kg

