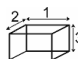


# MEETING POINT (1 ROOF)

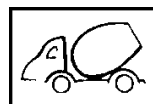
Furniture (bench, waste bin, shelter...)

**J2840**

 1=2.24m 2=1.4m 3=2.3m



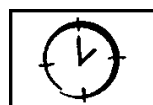
## INSTALLATION



0.4m<sup>3</sup>



2

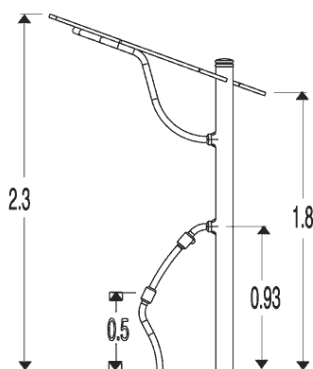
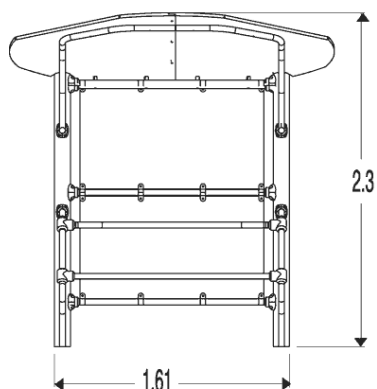


4h00

## OTHER INFORMATION



2 players



**Total weight = 129 kg**

**Heaviest part = 22 kg**