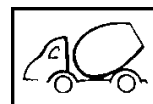
 1=3.13m 2=3.05m 3=2.3m



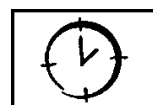
INSTALLATION



1.3m³



3

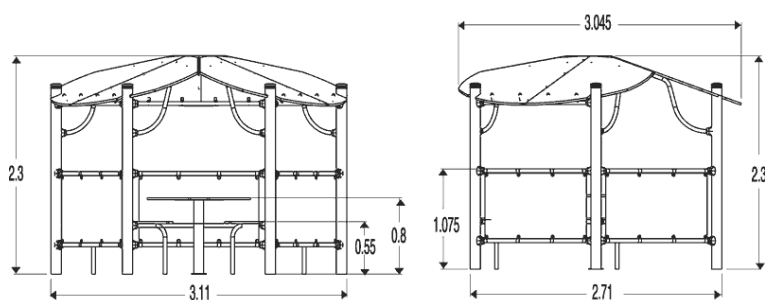


8h00

OTHER INFORMATION



6 players



Total weight = 445 kg

Heaviest part = 22 kg