


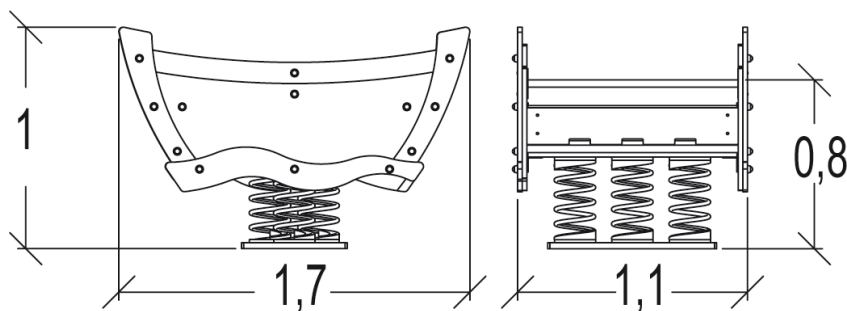
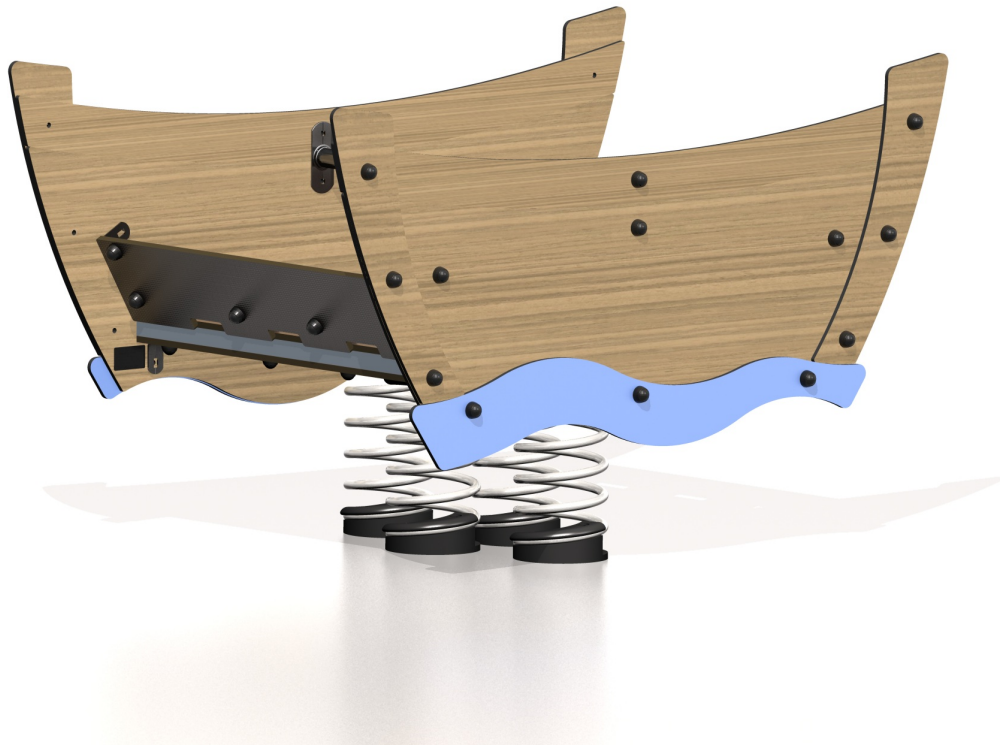
 2+
 6
 0,6m


 1 = 1,7m
 2 = 1,1m
 3 = 1m



Physical inclusion
Sensory inclusion
Cognitive inclusion



Play value : **4**

role play



x1

meeting



x1

balancing



x1



Oscillate

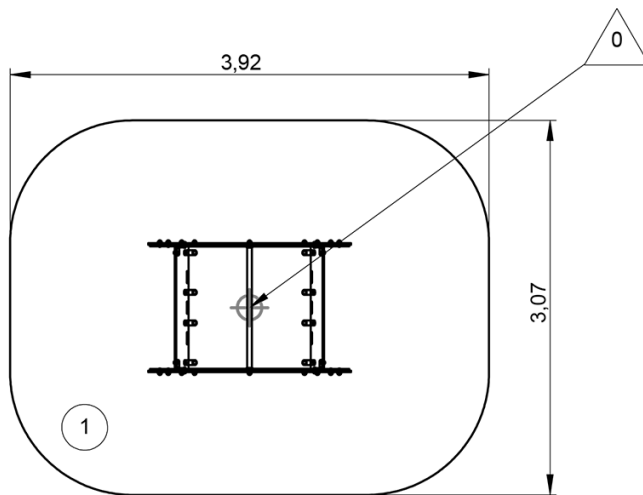




x1

Installation of equipment

IMPORTANT: It is essential to refer to the installation instructions for information on the size of the safety areas.

-  Impact area (minimum normative surface)
-  Free space



		
1	0,6m	11,5m ²



2

03h45

0m³

11.5m²

151kg

106kg

