



6+



17



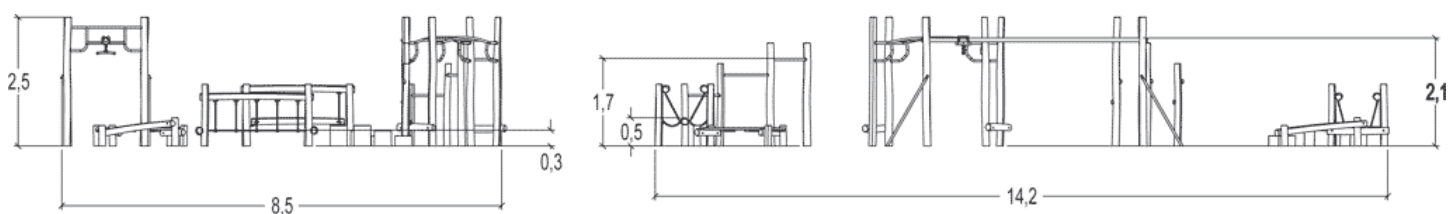
2,2m



1 = 14,24m
2 = 8m
3 = 2,5m



Physical inclusion
Sensory inclusion
Cognitive inclusion



Play value : **19**

climbing



x1

jumping



x1

hanging



x3

balancing



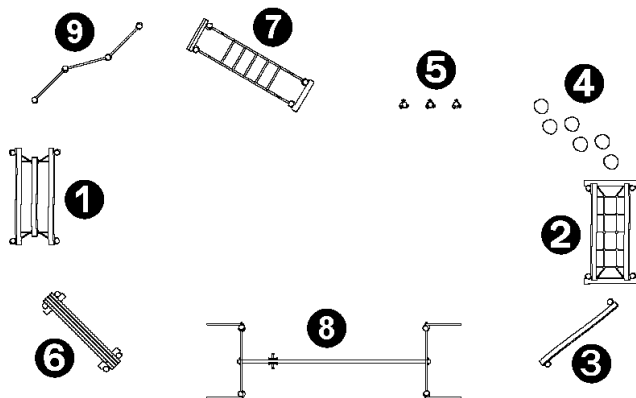
x6

getting across



x8

Components

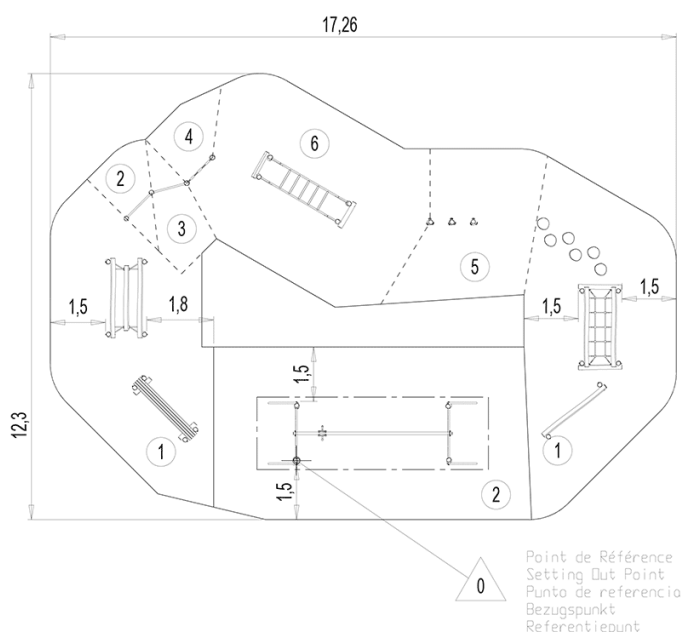


- 1 Suspended beam
- 2 Suspended net
- 3 Balance Beam
- 4 Japanese steps
- 5 Climbing posts
- 6 Bridge
- 7 Horizontal ladder
- 8 Aerogliss
- 9 Horizontal bars

Installation of equipment

IMPORTANT: It is essential to refer to the installation instructions for information on the size of the safety areas.

- Impact area (minimum normative surface)
- Free space



1	0,6m	59m ²
2	1m	44m ²
3	1,4m	3,5m ²
4	1,7m	3m ²
5	2,1m	13,5m ²
6	2,2m	29m ²



2



12h00



0.77m³



152m²



1224kg



250kg

