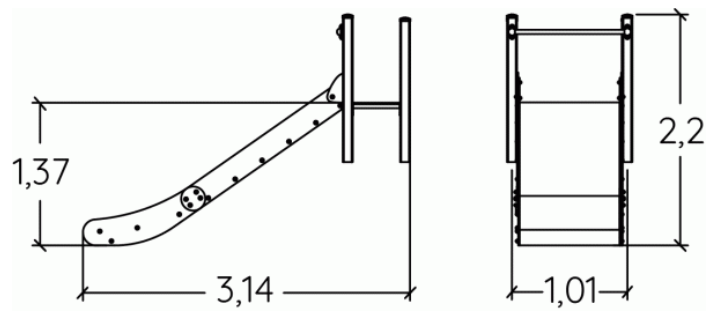
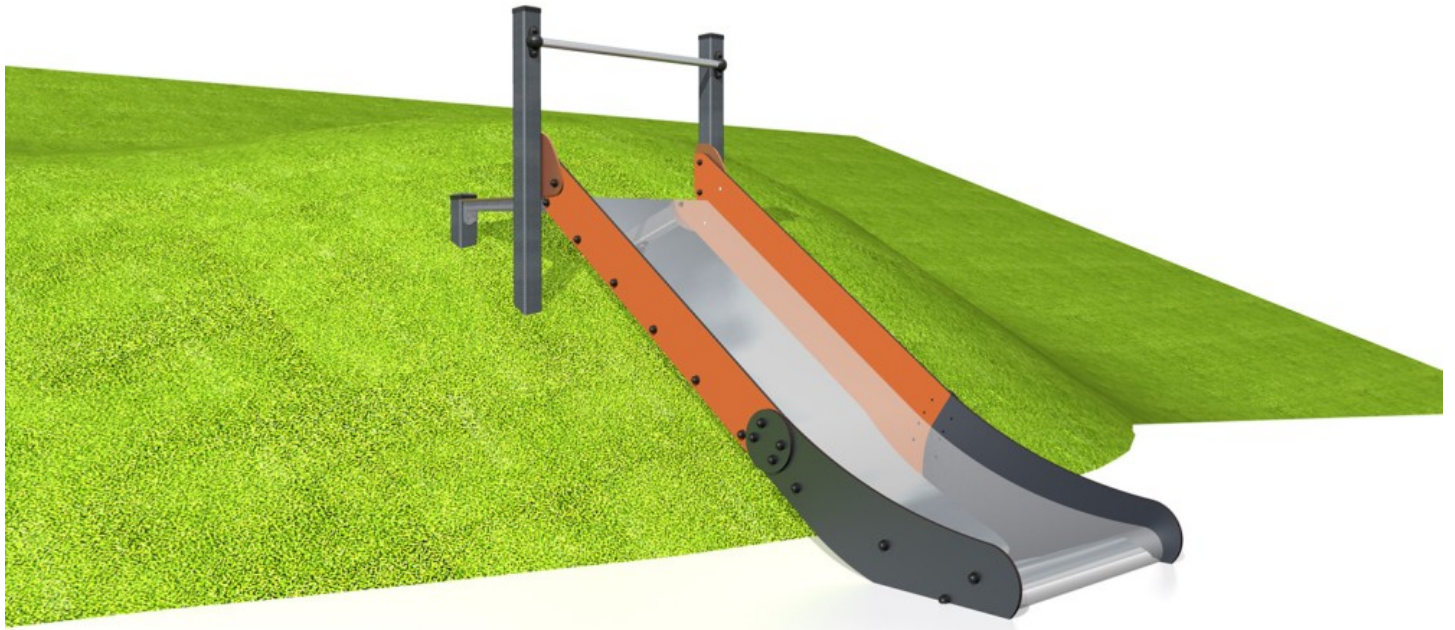


Physical inclusion
Sensory inclusion
Cognitive inclusion



Play value : **2**

sliding

meeting





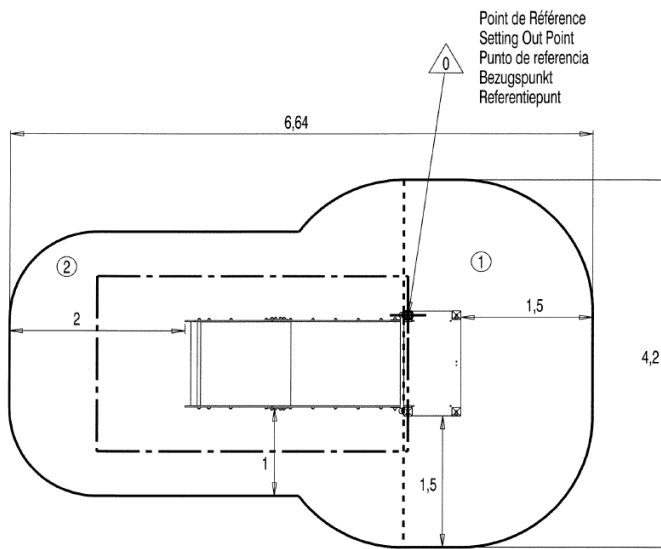
x1

x1

Installation of equipment

IMPORTANT: It is essential to refer to the installation instructions for information on the size of the safety areas.

-  Impact area (minimum normative surface)
-  Free space



1	<0,6m	8m ²
2	1m	14,5m ²



2



04h00



0.2m³



22.5m²



162kg



52kg

