



3+



20



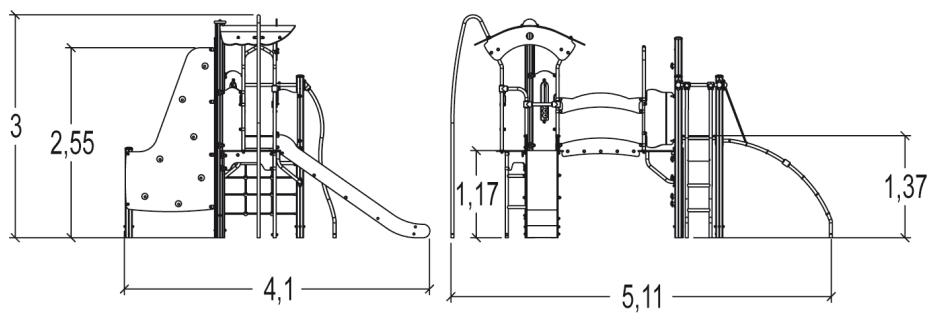
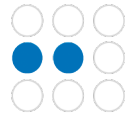
2,6m



1 = 5,11m
2 = 4,1m
3 = 3m



Physical inclusion
Sensory inclusion
Cognitive inclusion



Play value :

13

climbing



x1

sliding



x2

meeting



x2

handling



x1

taking shelter



x1

tactile stimulation



x1

climbing



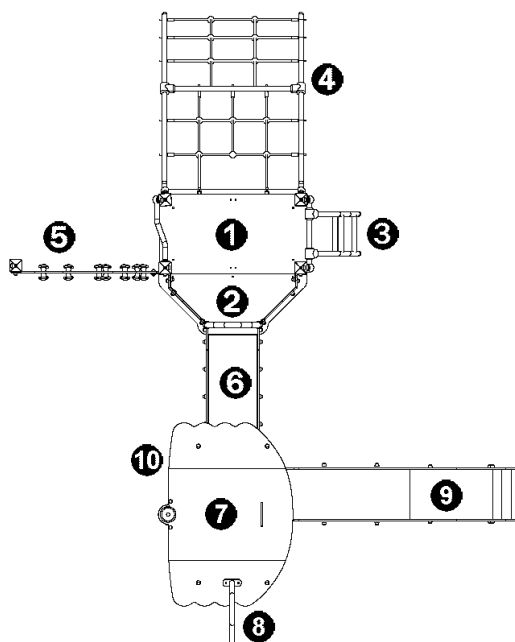
x3

getting across



x2

Components

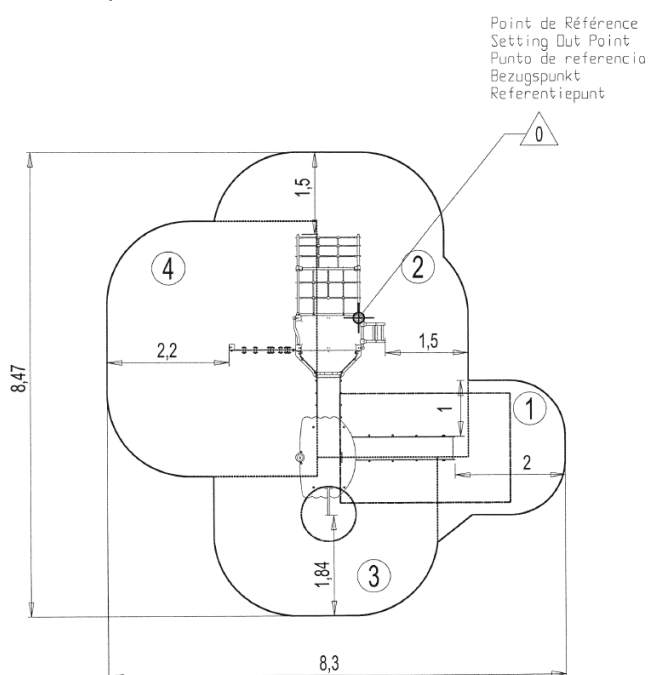


- ① Rectangular platform
- ② Platform HT: 1.17m
- ③ Curved ladder
- ④ Incline net H: 1.37m
- ⑤ Climbing wall
- ⑥ Walkway
- ⑦ Tower HT: 1.17m
- ⑧ Fireman's pole
- ⑨ Slide
- ⑩ Counting panel

Installation of equipment

IMPORTANT: It is essential to refer to the installation instructions for information on the size of the safety areas.

-  Impact area (minimum normative surface)
-  Free space



1	1m	5m ²
2	1,37m	16m ²
3	2m	10,5m ²
4	2,6m	17m ²



2

14h00

0.4m³

48.5m²

373kg

33kg

EN

1176