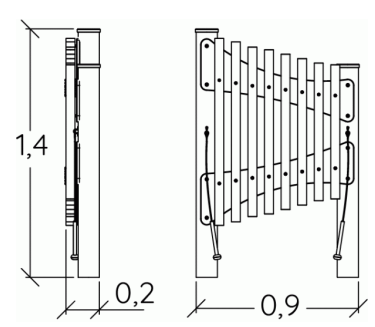


Physical inclusion
Sensory inclusion
Cognitive inclusion



Play value :

4

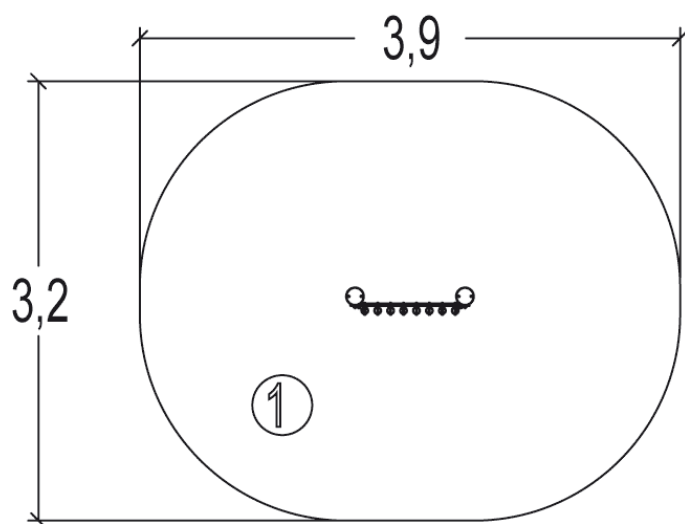
meeting	handling	sound stimulation	visual stimulation
x1	x1	x1	x1

Installation of equipment

IMPORTANT: It is essential to refer to the installation instructions for information on the size of the safety areas.

Impact area (minimum normative surface)

Free space



1	0m	11m ²



0



0.15m³



11m²



47kg



-

