



8+



22



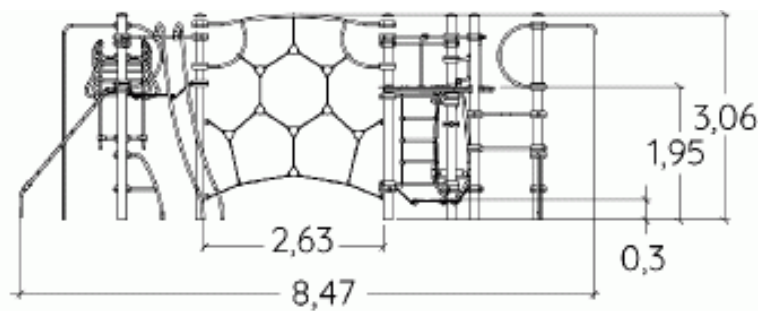
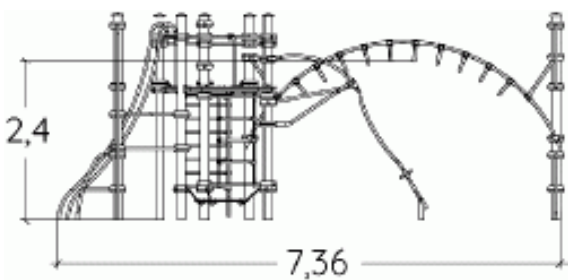
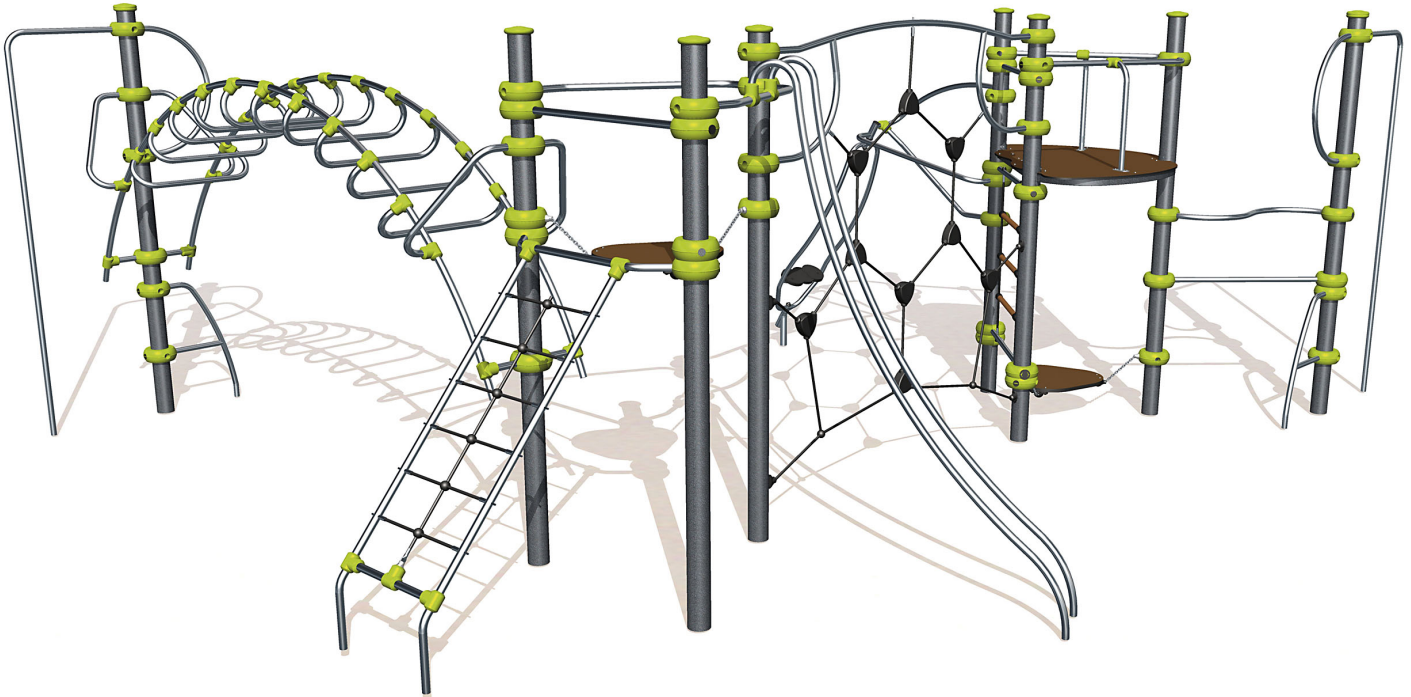
3m



1 = 8,48m  
2 = 7,36m  
3 = 3,06m



Physical inclusion  
Sensory inclusion  
Cognitive inclusion



Play value : **19**

sliding



x3

meeting



x3

resting



x2

hanging



x1

balancing



x2

rotating



x1

climbing



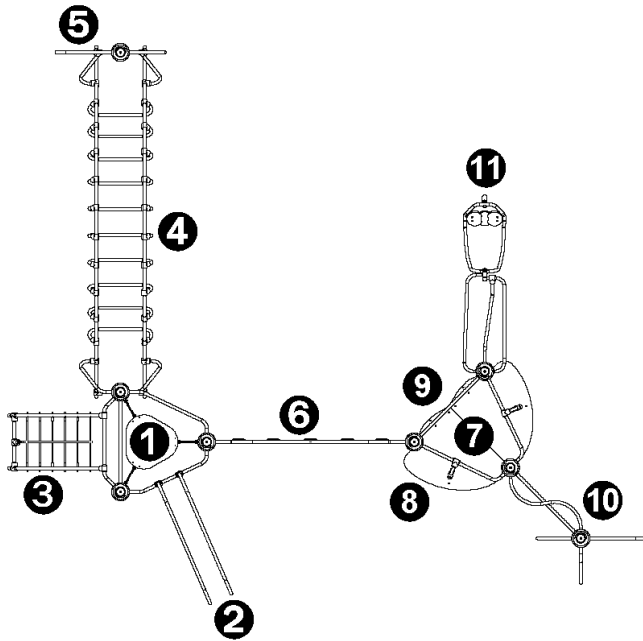
x5

getting across



x2

## Components

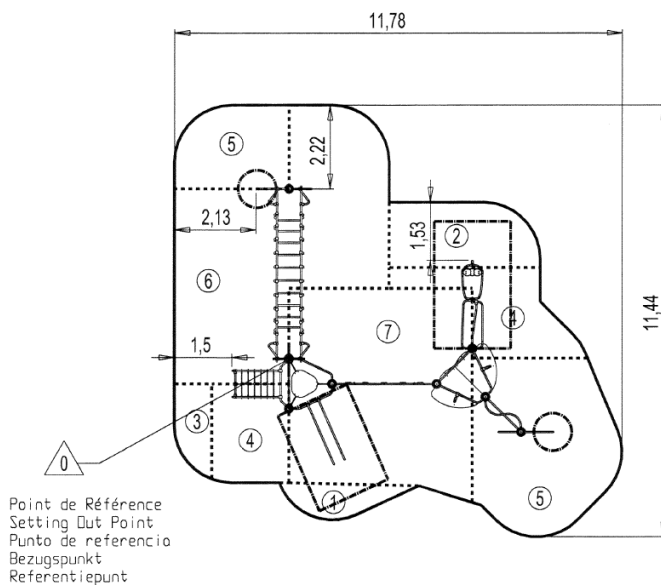


- 1 Tour Delta
- 2 Speed slide
- 3 Delta Incline net
- 4 Great arch
- 5 Parrot mast
- 6 Net IXO
- 7 Tour Alpha
- 8 Suspended platform
- 9 Echelle droite delta
- 10 Vis à vis
- 11 Gyro

## Installation of equipment

**IMPORTANT:** It is essential to refer to the installation instructions for information on the size of the safety areas.

- Impact area (minimum normative surface)
- Free space



1	0,6m	2,5m <sup>2</sup>
2	0,7m	6,5m <sup>2</sup>
3	1,95m	15m <sup>2</sup>
4	2m	21m <sup>2</sup>
5	2,4m	27,5m <sup>2</sup>
6	3m	25,5m <sup>2</sup>



2



52h30



0.8m<sup>3</sup>



98m<sup>2</sup>



433kg



54kg

