



6+



19



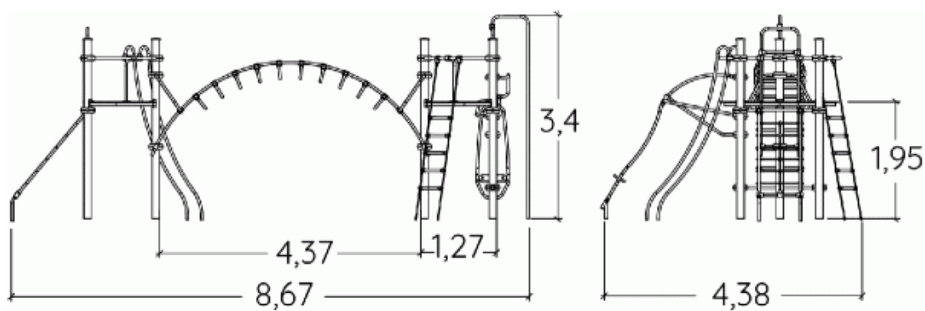
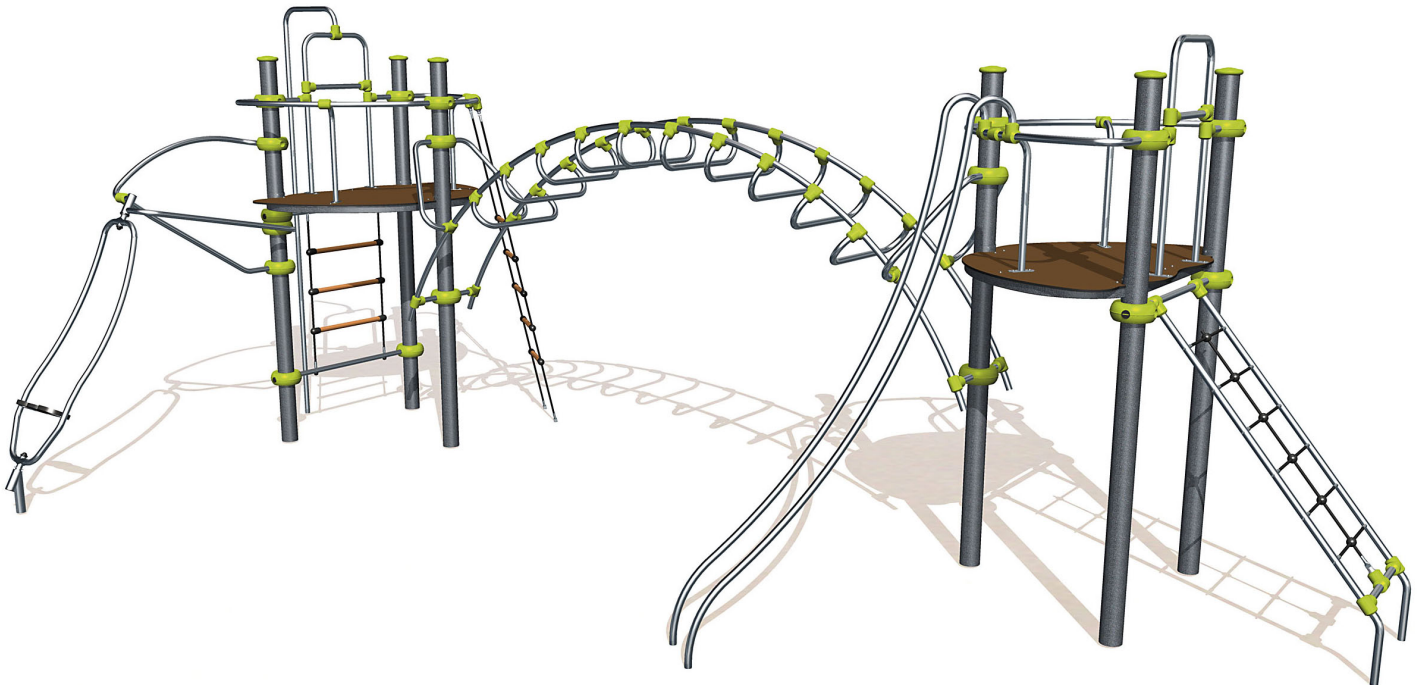
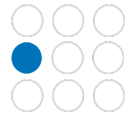
2,4m



1 = 8,67m  
2 = 4,38m  
3 = 3,4m



Physical inclusion  
Sensory inclusion  
Cognitive inclusion



Play value : **12**

sliding



x2

meeting



x2

hanging



x1

balancing



x2

rotating



x1

climbing



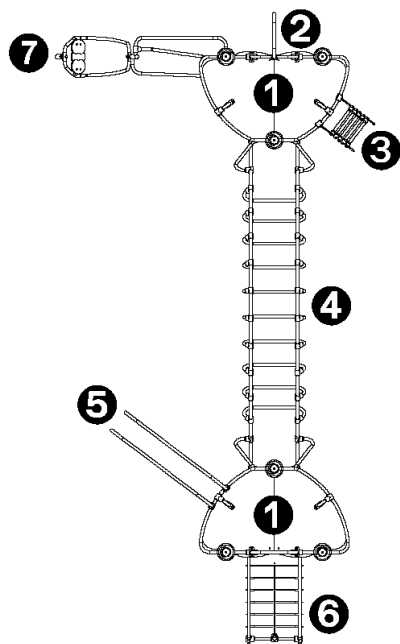
x3

getting across



x1

## Components

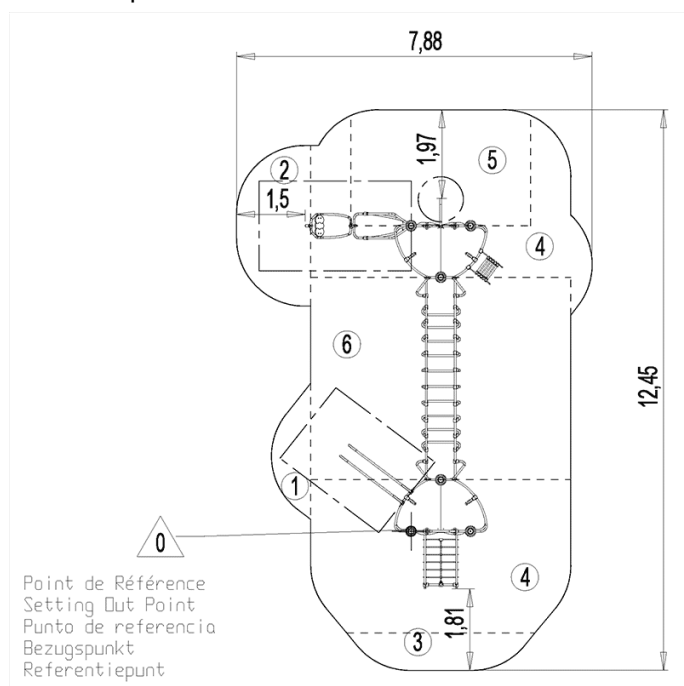


- 1 Tour Gamma
- 2 Fireman's pole
- 3 Rope ladder
- 4 Great arch
- 5 Speed slide
- 6 Incline net
- 7 Gyro
- 8 Echelle droite delta

## Installation of equipment

**IMPORTANT:** It is essential to refer to the installation instructions for information on the size of the safety areas.

-  Impact area (minimum normative surface)
-  Free space



1	0,6m	2m <sup>2</sup>
2	1m	3m <sup>2</sup>
3	1,95m	35m <sup>2</sup>
4	2,2m	10,5m <sup>2</sup>
5	2,4m	26m <sup>2</sup>



2



22h00



0.7m<sup>3</sup>



76.5m<sup>2</sup>



404kg



54kg

