



6+



17



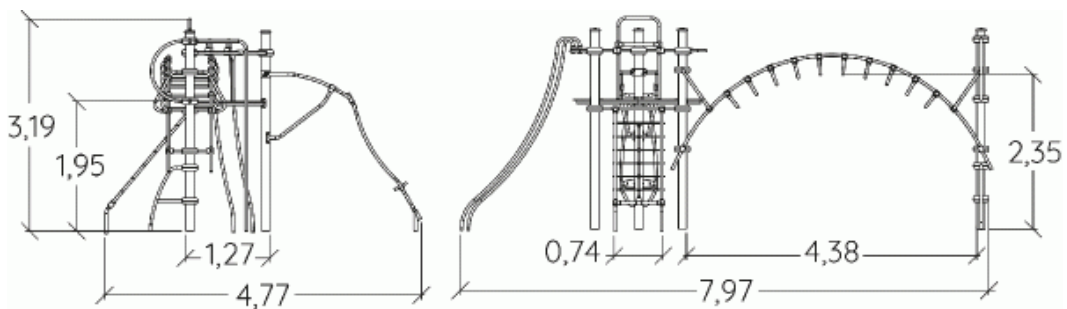
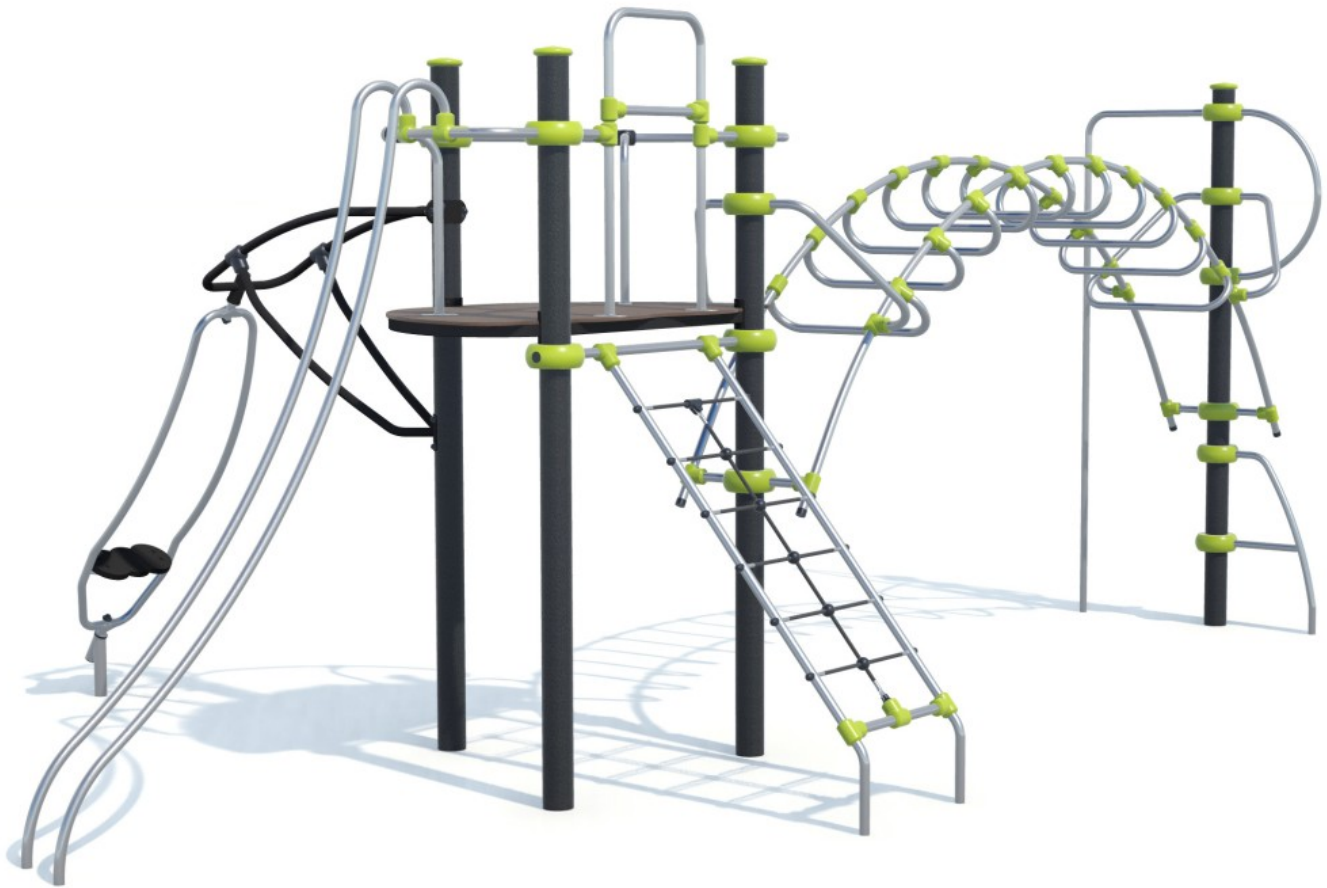
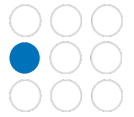
2,4m



1 = 7,97m
2 = 4,8m
3 = 3,3m



Physical inclusion
Sensory inclusion
Cognitive inclusion



Play value : **9**

sliding



x2

meeting



x1

hanging



x1

balancing



x1

rotating



x1

climbing



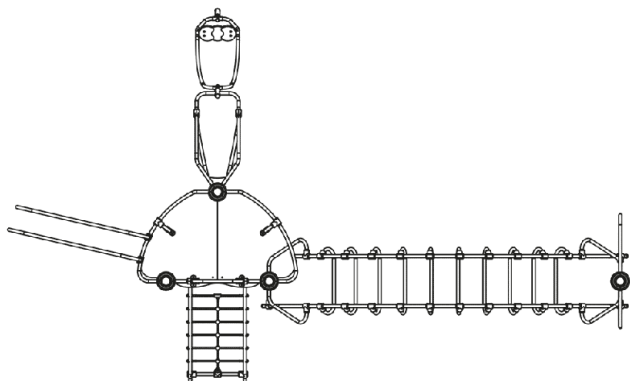
x2

getting across



x1



Components

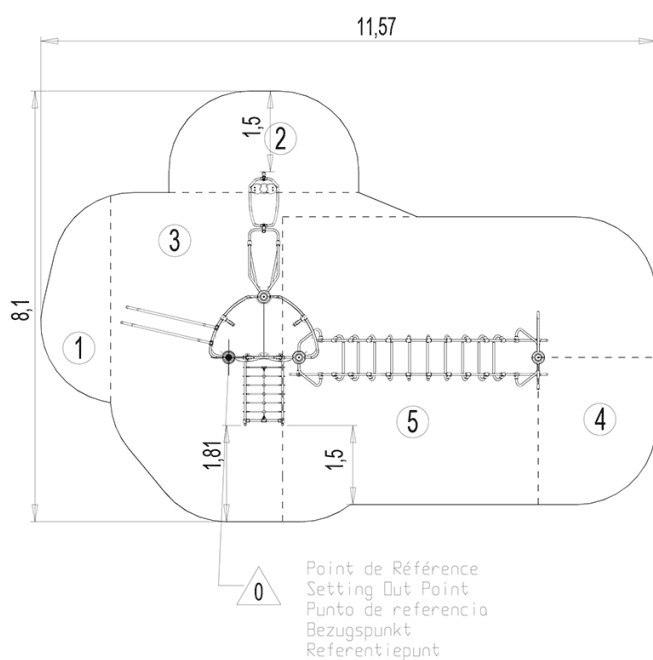




- ① Tour Gamma
- ② Great arch
- ③ Parrot mast
- ④ Incline net
- ⑤ Speed slide
- ⑥ Gyro

Installation of equipment

IMPORTANT: It is essential to refer to the installation instructions for information on the size of the safety areas.

-  Impact area (minimum normative surface)
-  Free space



		
1	0,6m	4m ²
2	0,7m	6m ²
3	1,95m	20m ²
4	2m	6m ²
5	2,4m	32m ²



2

17h00

0.4m³

68m²

295kg

54kg

EN

1176