



6+



24



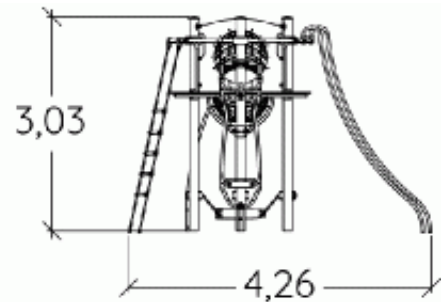
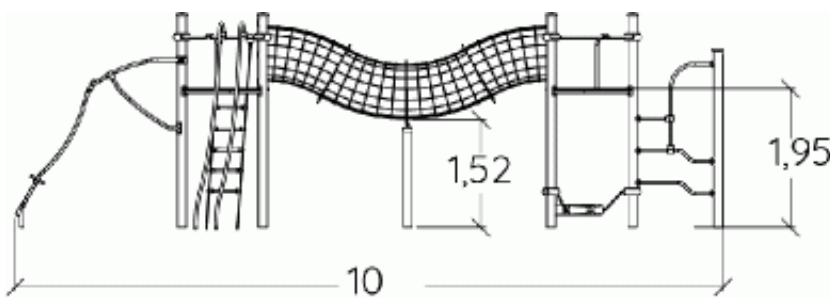
1,95m



1 = 9,98m
2 = 4,26m
3 = 3,03m



Physical inclusion
Sensory inclusion
Cognitive inclusion



Play value : **12**

sliding



x1

meeting



x2

resting



x1

crawling



x1

balancing



x3

rotating



x1

climbing



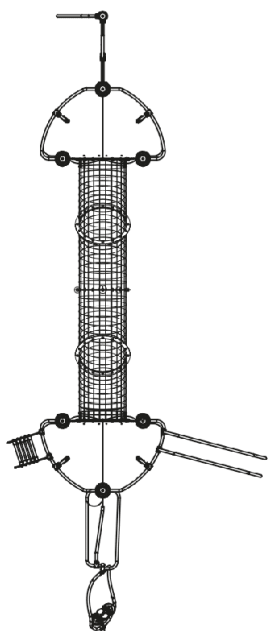
x2

getting across



x1



Components

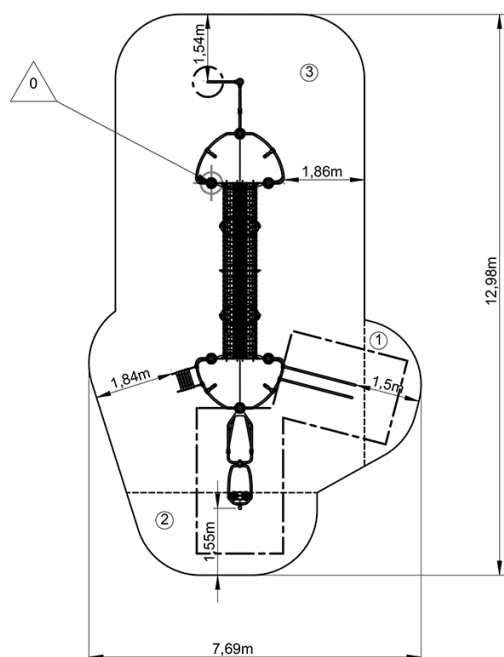


- ① Gyro
- ② Rope ladder
- ③ Speed slide
- ④ Tour gamma sans porte
- ⑤ Interconnection
- ⑥ Horizontal buoy
- ⑦ Net tunnel

Installation of equipment

IMPORTANT: It is essential to refer to the installation instructions for information on the size of the safety areas.

-  Impact area (minimum normative surface)
-  Free space



1	0,6m	3,5m ²
2	0,7m	7m ²
3	1,95m	63,5m ²



2



07h00



1m³



74m²



456kg



24kg

