



8+



14



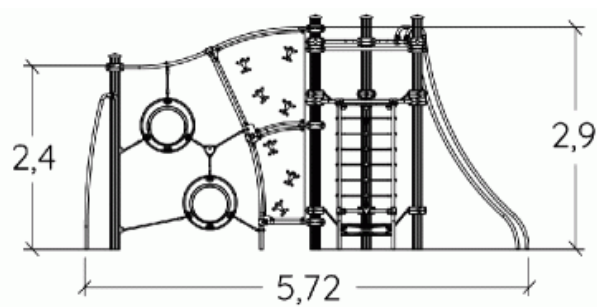
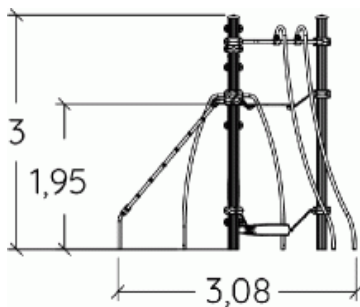
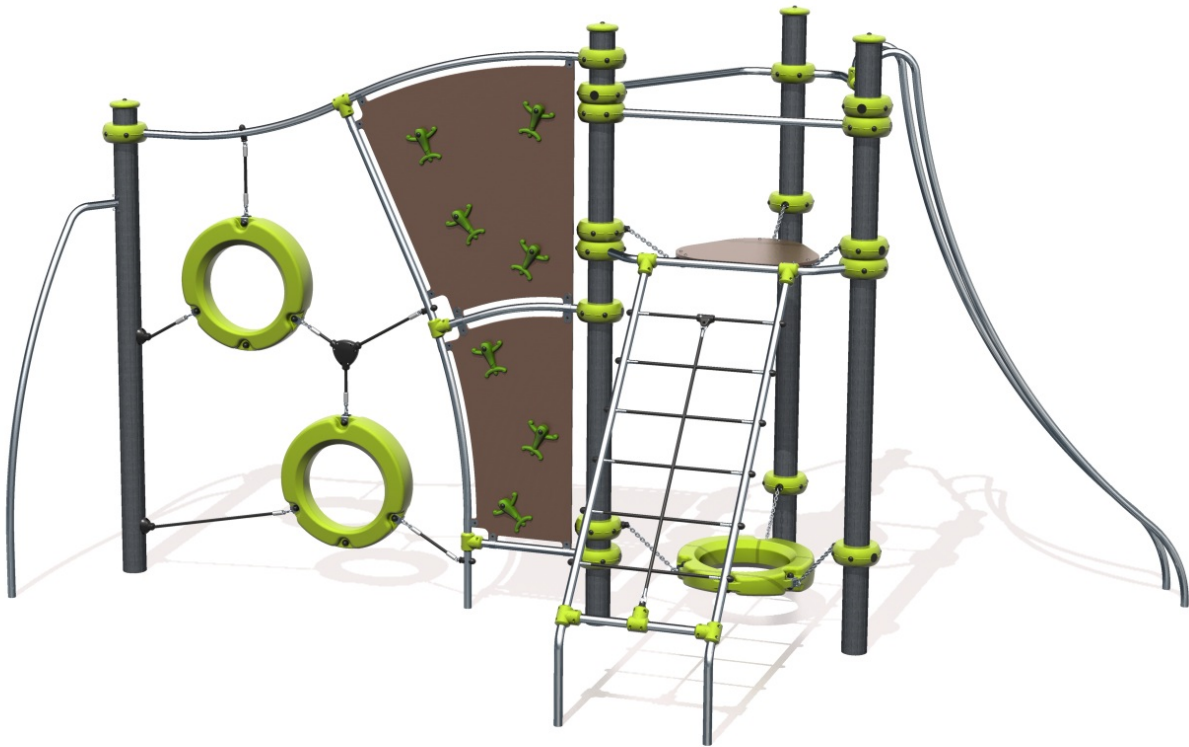
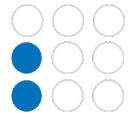
2,9m



1 = 5,72m  
2 = 3,08m  
3 = 3m



Physical inclusion  
Sensory inclusion  
Cognitive inclusion



**Play value :** **10**

climbing



x1

sliding



x1

meeting



x1

resting



x3

balancing



x1

climbing



x2

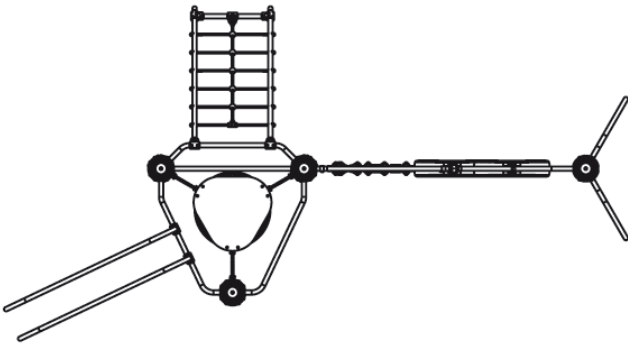
getting across



x1



## Components

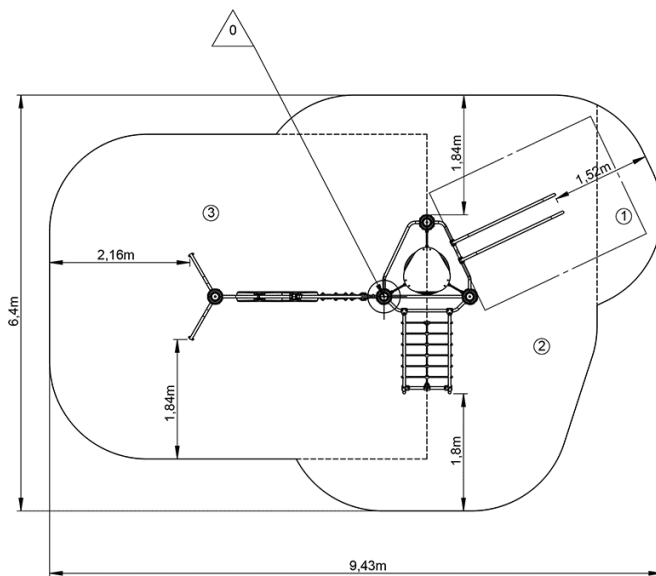
- ❶ Delta tower
- ❷ Delta Incline net
- ❸ Speed slide
- ❹ Horizontal buoy
- ❺ Look-out



## Installation of equipment

**IMPORTANT:** It is essential to refer to the installation instructions for information on the size of the safety areas.

-  Impact area (minimum normative surface)
-  Free space



1	0,6m	2m <sup>2</sup>
2	1,95m	18m <sup>2</sup>
3	2,97m	28m <sup>2</sup>



2

06h00

0.6m<sup>3</sup>

48m<sup>2</sup>

190kg

19kg

EN

1176