


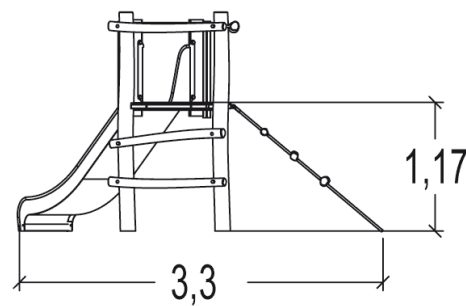
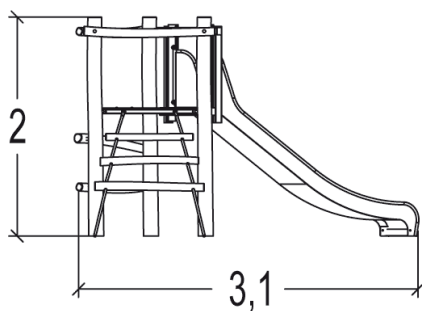
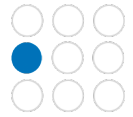
 3+
  6
  1,17m
 
 1 = 3,3m
 2 = 3,1m
 3 = 2m



Physical inclusion
Sensory inclusion
Cognitive inclusion



Play value : 6

role play



x1

sliding



x1

meeting



x1

balancing



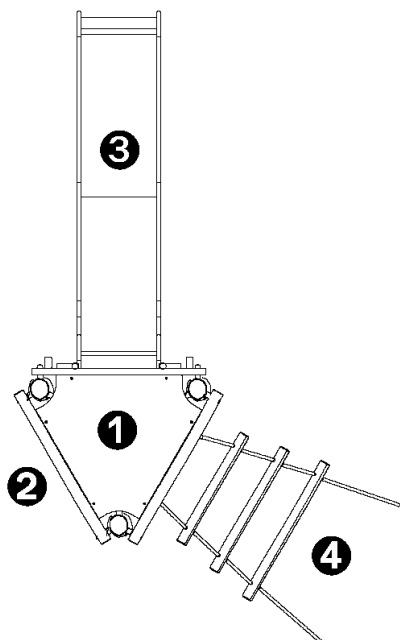
x1

climbing



x2



Components

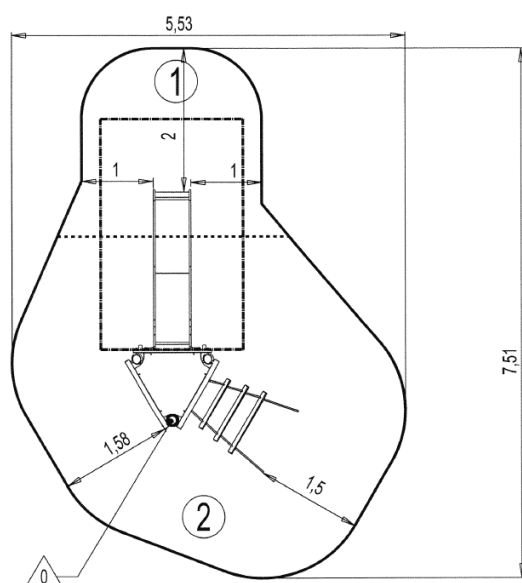


- ❶ Platform Ht: 1.17m
- ❷ Vertical ladder Ht: 1.17
- ❸ Slide Ht: 1.17m
- ❹ Flexible log ladder Ht: 1.17m

Installation of equipment



IMPORTANT: It is essential to refer to the installation instructions for information on the size of the safety areas.

-  Impact area (minimum normative surface)
-  Free space



Point de Référence
Setting Out Point
Punto de referencia
Bezugspunkt
Referentiepunt



		
1	1m	6,5m ²
2	1,17m	21m ²



2

06h00

0.18m³

27.5m²

231kg

52kg

EN

1176