



2-6



20



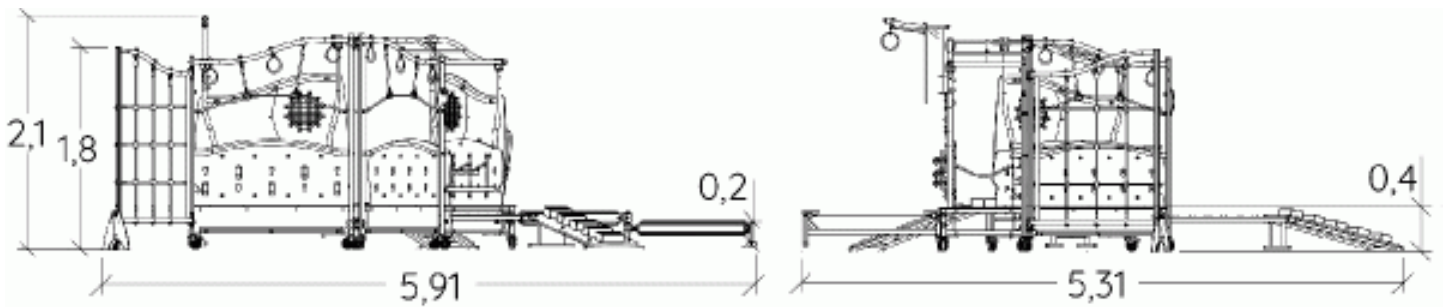
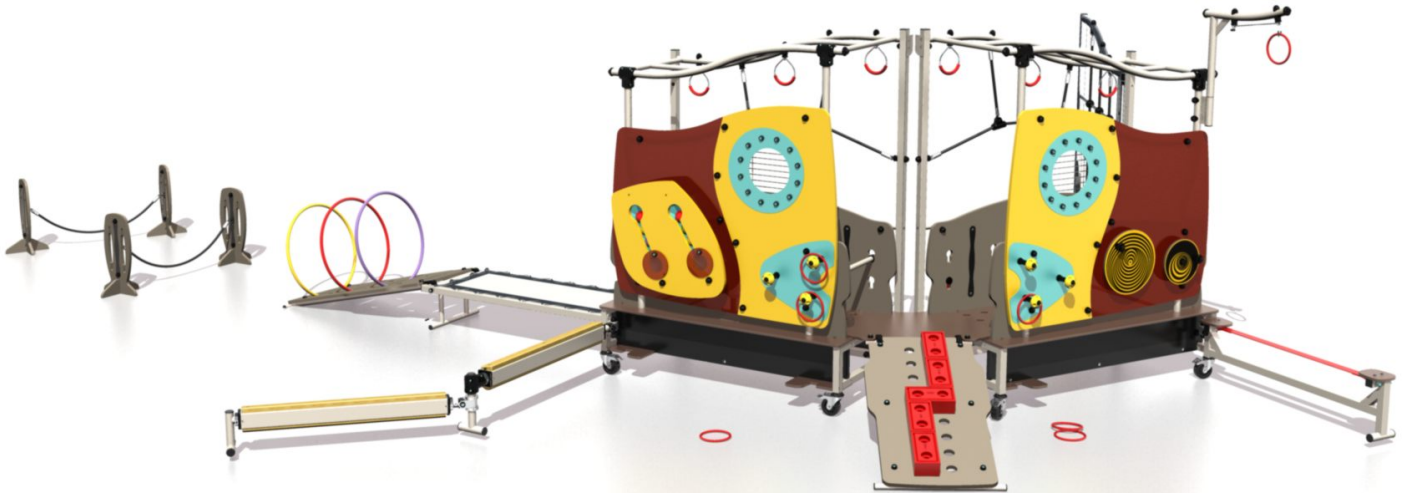
1,95m



1 = 5,93m
2 = 5,31m
3 = 2,11m



Physical inclusion
Sensory inclusion
Cognitive inclusion



Play value : **8**

climbing



x1

role play



x1

meeting



x1

handling



x1

hanging



x1

crawling



x1

balancing



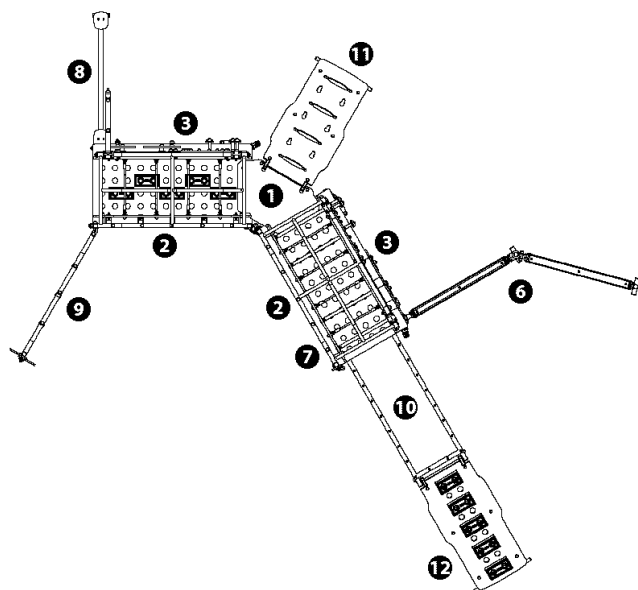
x1

climbing



x1

Components

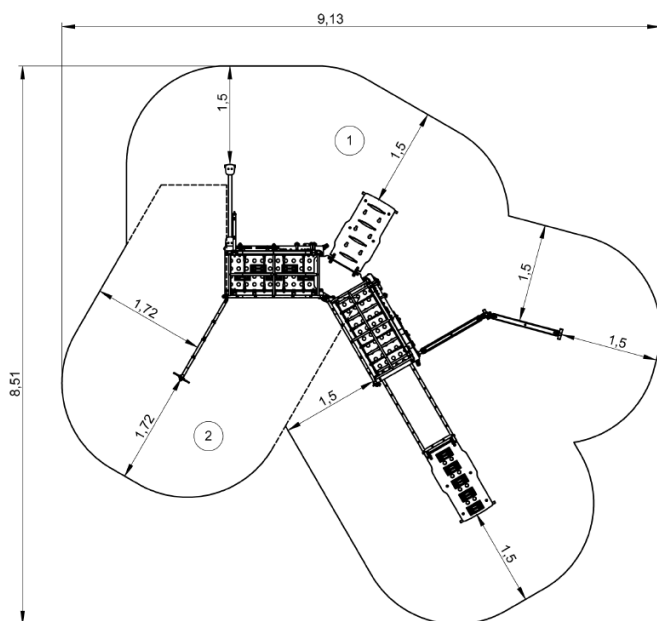


- ❶ Module de base Parcours Gym ludic
- ❷ Right translucent panel
- ❸ Left translucent panel
- ❹ Ropes
- ❺ Rings
- ❻ Balancing beam
- ❼ Ridge
- ❽ Slackline
- ❾ Net HT: 2.4m
- ❿ Wobbly bridge
- ⓫ Inclined ramp 'Hoops'
- ⓬ Inclined ramp 'Bricks'
- ⓭ Jumping accessories
- ⓮ Bars (batch of 5)
- ⓯ Holds (batch of 5)
- ⓰ Rings (batch of 3)
- ⓱ Balls (batch of 10)
- ⓲ Short ropes (batch of 4)
- ⓳ Long ropes (batch of 3)
- ⓴ Bricks (batch of 10)
- ⓵ Hoops (batch of 4)
- ⓶ Mirror mat
- ⓷ Foam mat

Installation of equipment

IMPORTANT: It is essential to refer to the installation instructions for information on the size of the safety areas.

- Impact area (minimum normative surface)
- Free space



| | | |
|---|-------|--------------------|
| 1 | <0,6m | 38m ² |
| 2 | 1,95m | 12,5m ² |



0

01h00

0m³

50.5m²

509kg

294kg

EN

1176