



2-6



15



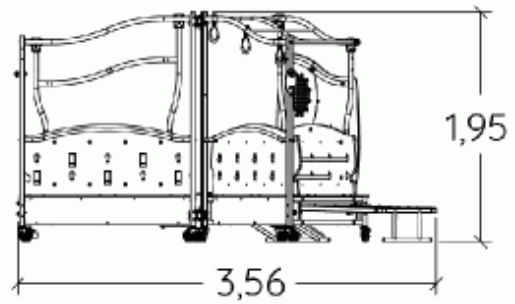
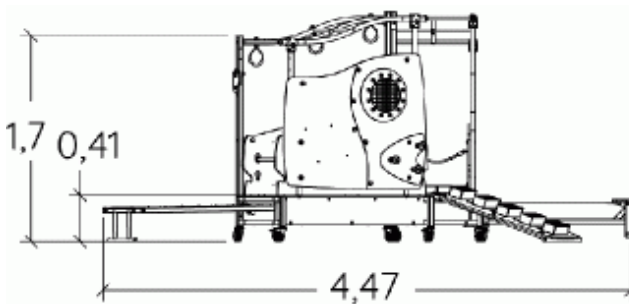
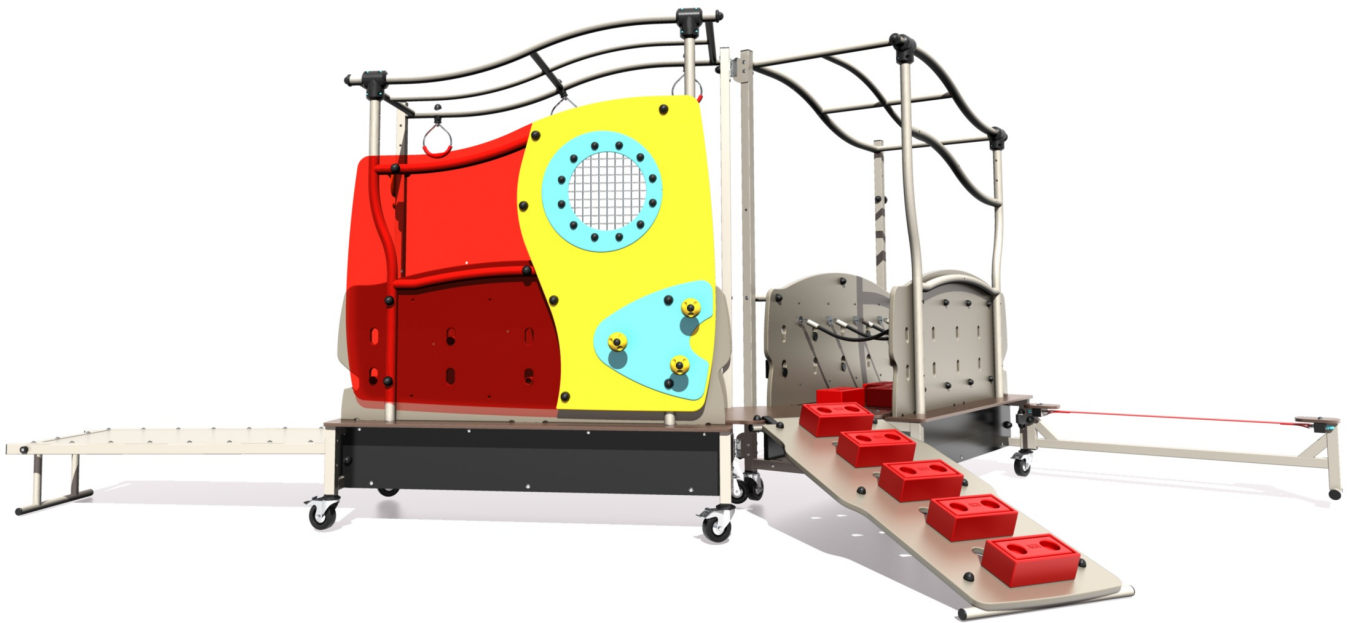
1m



1 = 3,56m
2 = 4,47m
3 = 1,95m



Physical inclusion
Sensory inclusion
Cognitive inclusion



Play value :

8

climbing



x1

role play



x1

meeting



x1

handling



x1

hanging



x1

crawling



x1

balancing



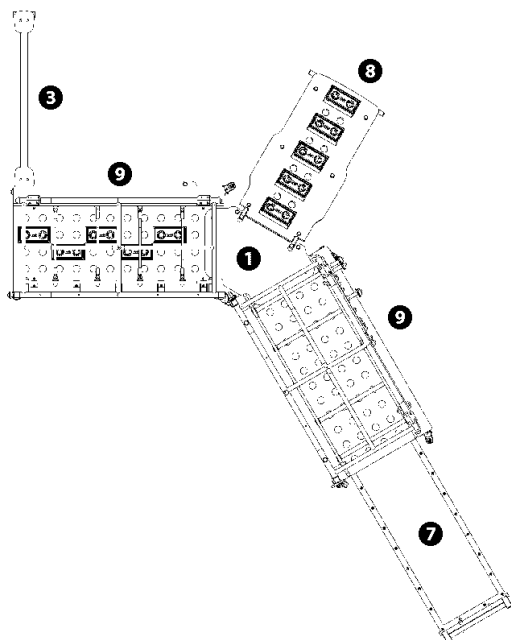
x1

climbing



x1

Components

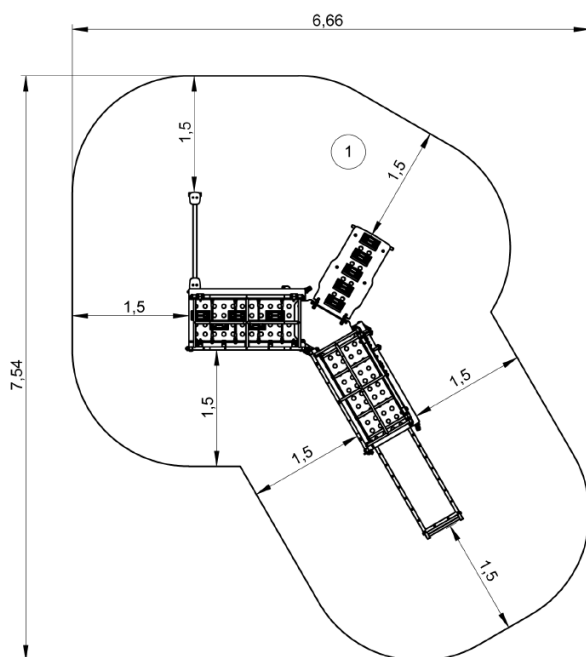




- ❶ Module de base Parcours Gymludic
- ❷ Rings
- ❸ Slackline
- ❹ Bars (batch of 5)
- ❺ Short ropes (batch of 4)
- ❻ Holds (batch of 5)
- ❼ Wobbly bridge
- ❽ Inclined ramp 'Bricks'
- ❾ Left translucent panel
- ❿ Bricks (batch of 10)
- ⓫ Rings (batch of 3)

Installation of equipment

IMPORTANT: It is essential to refer to the installation instructions for information on the size of the safety areas.

-  Impact area (minimum normative surface)
-  Free space



| | | |
|---|---|---|
| |  |  |
| 1 | 1m | 35m ² |



0



01h00



0m³



35m²



393kg



178kg

