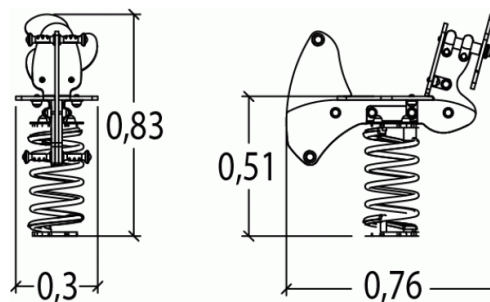
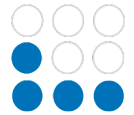


Physical inclusion
Sensory inclusion
Cognitive inclusion



Play value : **3**

role play

balancing

Oscillate



x1



x1



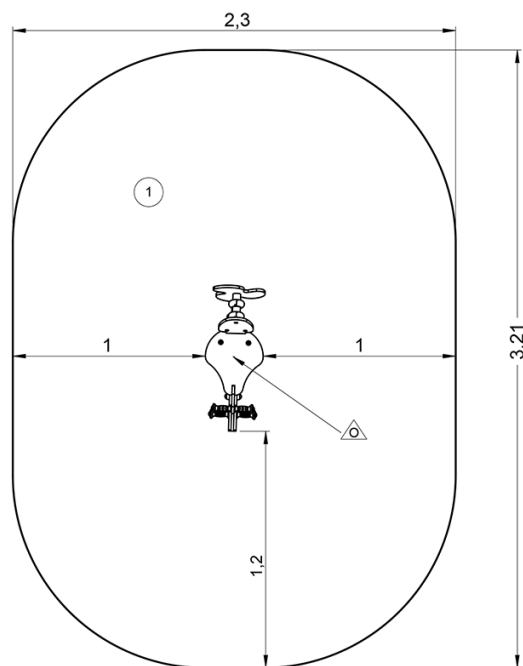
x1



Installation of equipment

IMPORTANT: It is essential to refer to the installation instructions for information on the size of the safety areas.

———— Impact area (minimum normative surface)

- - - - - Free space



		
1	0,6m	7m ²



2

0m³

7m²

27kg

10kg

EN

1176