



2-8



1



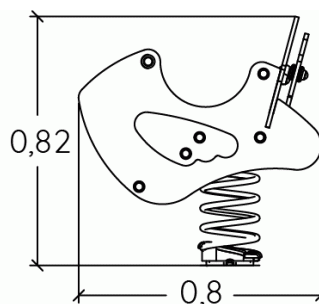
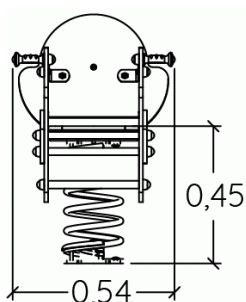
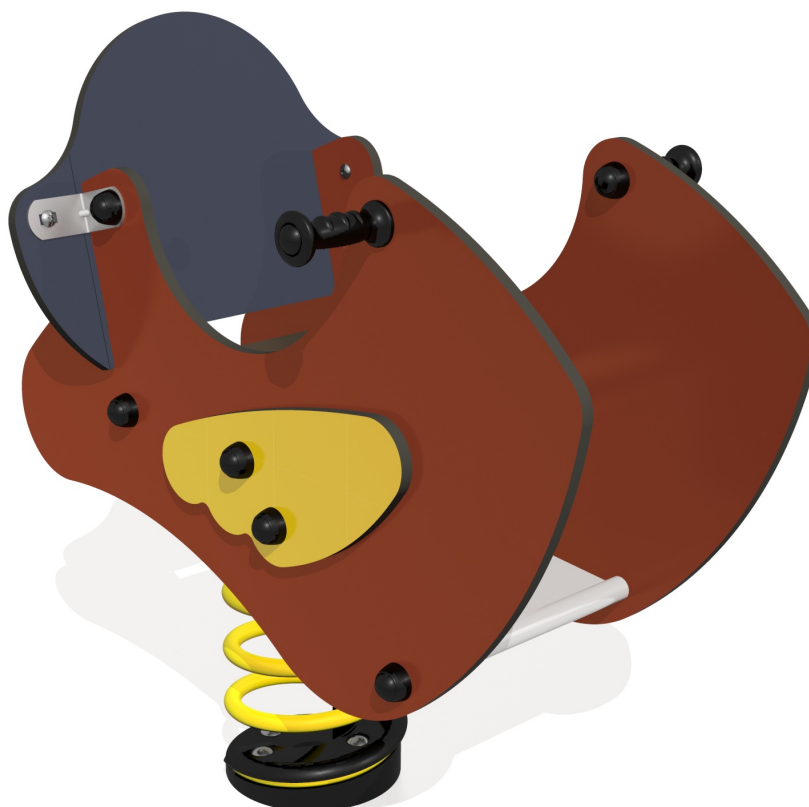
0,6m



1 = 0,8m
2 = 0,54m
3 = 0,82m



Physical inclusion
Sensory inclusion
Cognitive inclusion



Play value :

3

role play



x1

balancing



x1

Oscillate



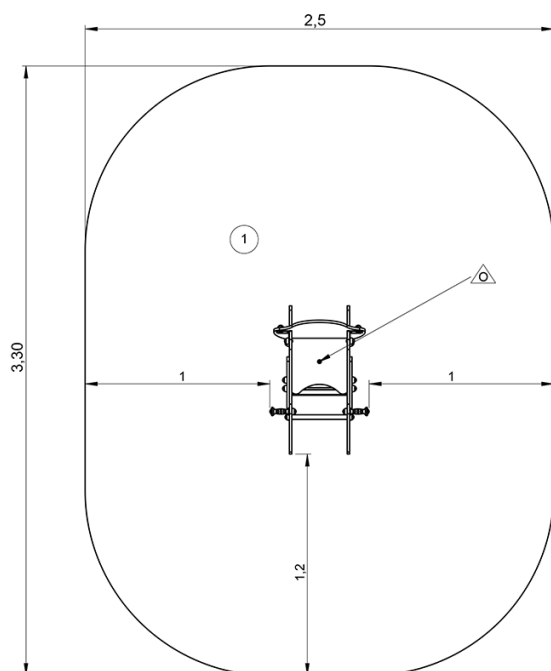
x1



Installation of equipment

IMPORTANT: It is essential to refer to the installation instructions for information on the size of the safety areas.

———— Impact area (minimum normative surface)

- - - - Free space



		
1	0,6m	8m ²



1

01h00

0m³

8m²

34kg

11kg

EN

1176