



2-8



1



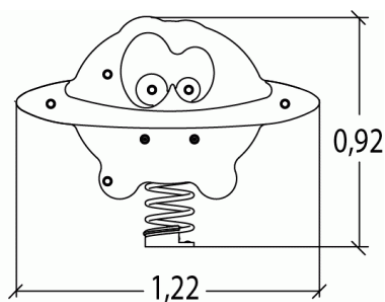
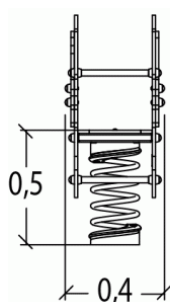
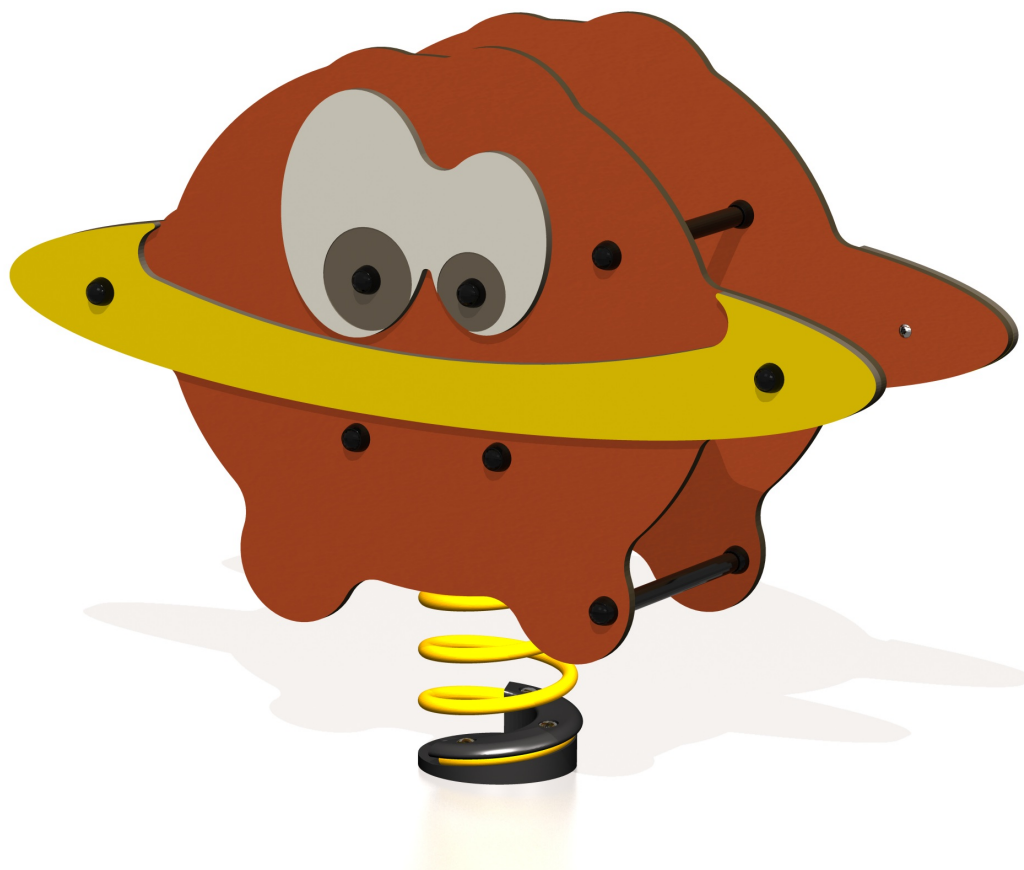
0,6m



1 = 1,22m  
2 = 0,4m  
3 = 0,92m



Physical inclusion  
Sensory inclusion  
Cognitive inclusion



Play value :

3

role play



x1

balancing



x1



Oscillate

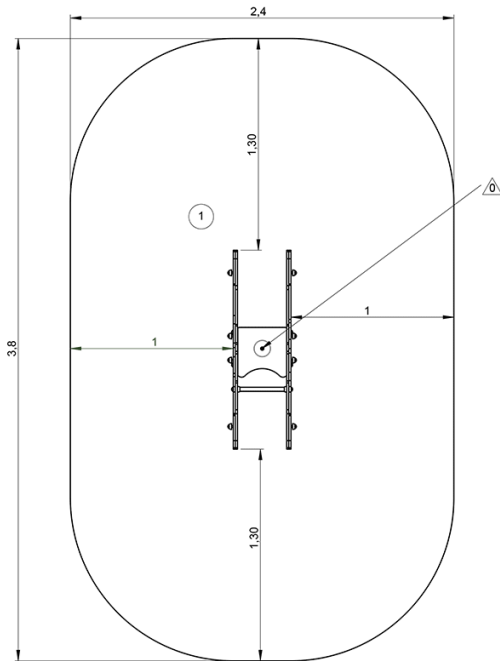




x1

## Installation of equipment

**IMPORTANT:** It is essential to refer to the installation instructions for information on the size of the safety areas.

-  Impact area (minimum normative surface)
-  Free space



		
1	0,6m	8,5m <sup>2</sup>



1



01h00



0m<sup>3</sup>



8.5m<sup>2</sup>



46kg



11kg

