



2-8



1



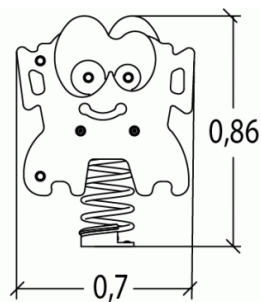
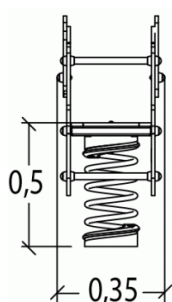
0,6m



1 = 0,7m
2 = 0,35m
3 = 0,86m



Physical inclusion
Sensory inclusion
Cognitive inclusion



Play value :

3

role play



x1

balancing



x1


Oscillate



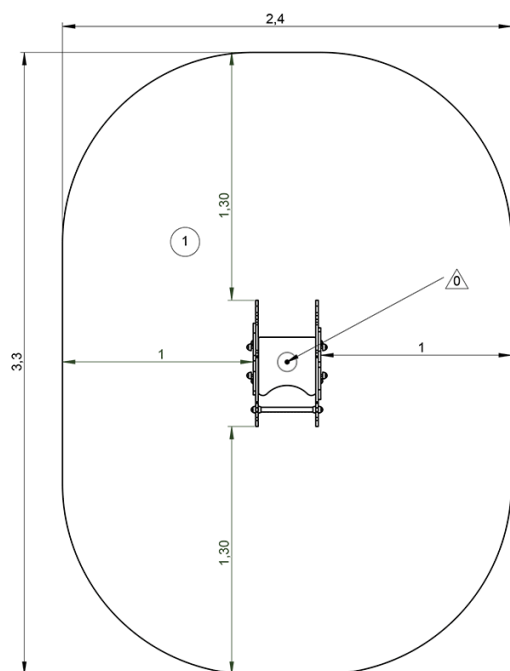
x1

Installation of equipment

IMPORTANT: It is essential to refer to the installation instructions for information on the size of the safety areas.

 Impact area (minimum normative surface)

 Free space



1	0,6m	7m ²
---	------	-----------------



1

01h00

0m³

7m²

34kg

11kg

EN

1176