



2-8



1



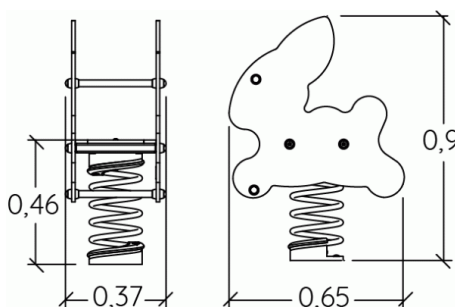
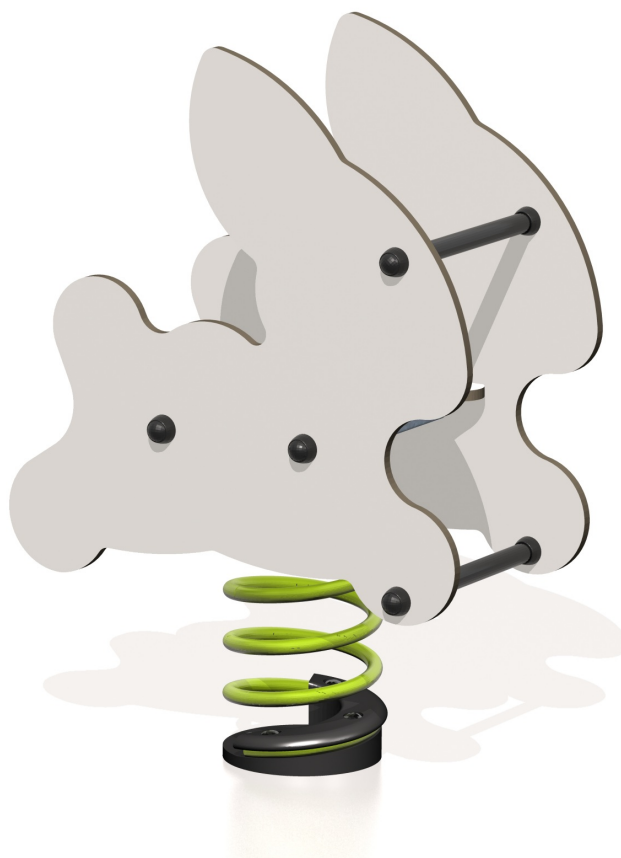
0,6m



1 = 0,65m
2 = 0,37m
3 = 0,9m



Physical inclusion
Sensory inclusion
Cognitive inclusion



Play value :

3

role play



x1

balancing



x1


Oscillate



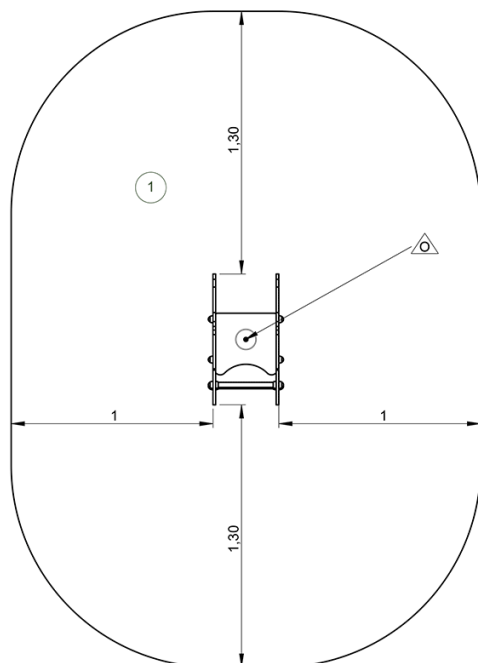
x1



Installation of equipment

IMPORTANT: It is essential to refer to the installation instructions for information on the size of the safety areas.

 Impact area (minimum normative surface)

 Free space



		
1	0,6m	7m ²



1



01h00



0m³



7m²



29kg



11kg

