


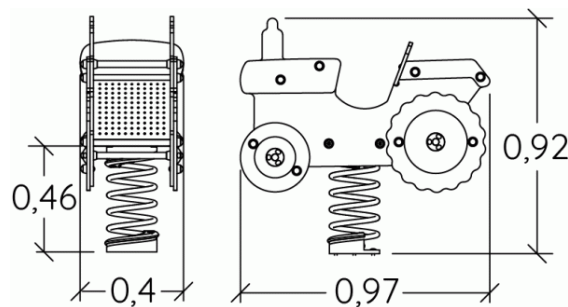
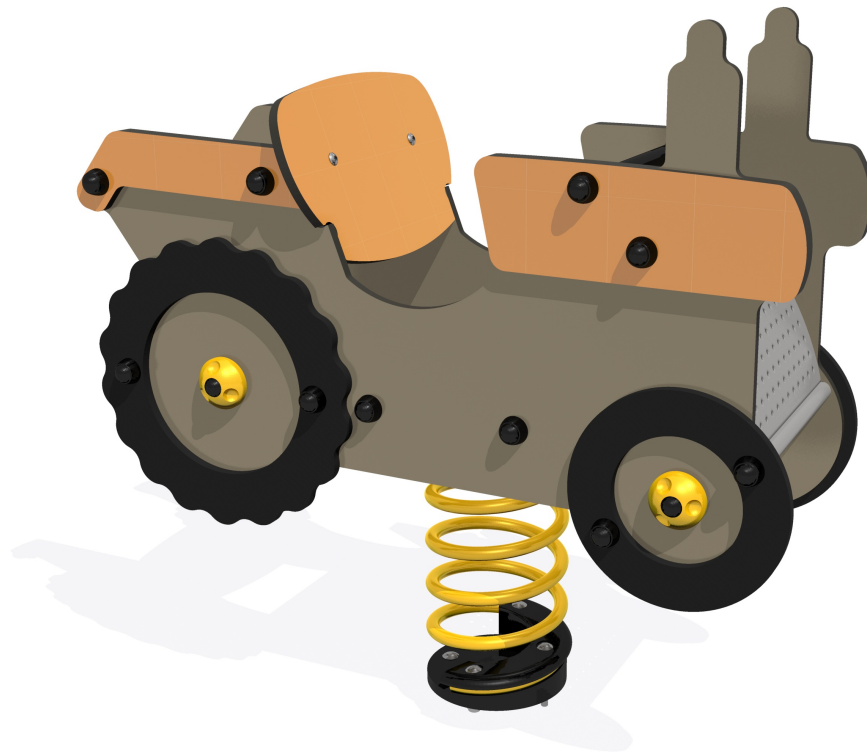
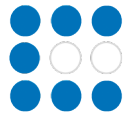
**1-8**    **1**    **0,6m**



1 = 0,97m  
 2 = 0,4m  
 3 = 0,92m



Physical inclusion  
 Sensory inclusion  
 Cognitive inclusion



**Play value :**                    **3**

role play

balancing

Oscillate



x1




x1



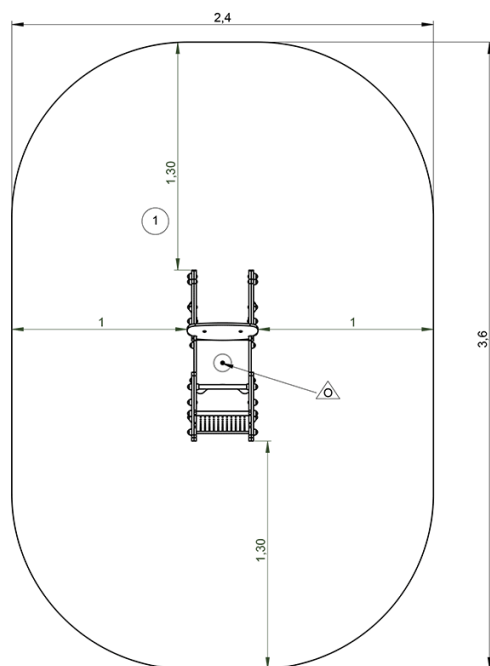
x1



## Installation of equipment

**IMPORTANT:** It is essential to refer to the installation instructions for information on the size of the safety areas.

 Impact area (minimum normative surface)

 Free space



		
1	0,6m	8m <sup>2</sup>



1



01h00



0m<sup>3</sup>



8m<sup>2</sup>



50kg



11kg

