



2+



20



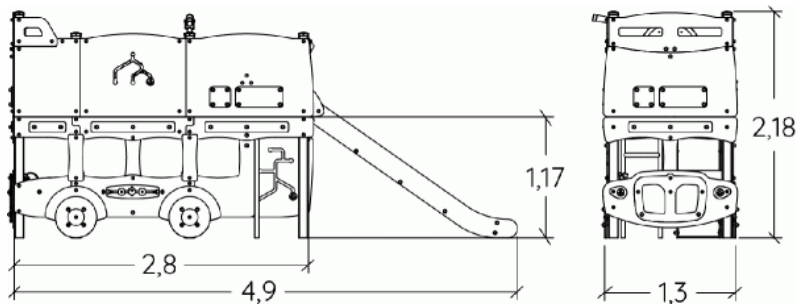
1,17m



1 = 4,9m  
2 = 1,3m  
3 = 2,18m



Physical inclusion  
Sensory inclusion  
Cognitive inclusion



Play value : **25**

role play



x1

tactile stimulation



x2

sliding



x1

visual stimulation



x2

meeting



x1

climbing



x1

resting



x1

handling



x7

crawling



x1

hiding



x1



thinking

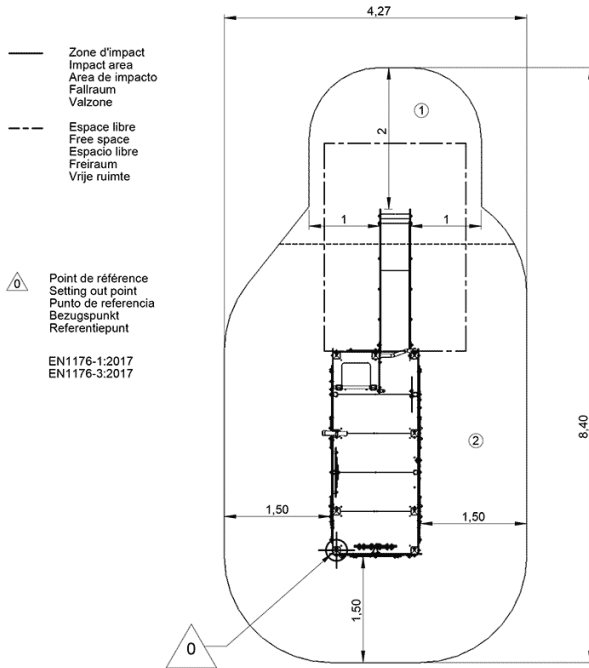


x7

## Installation of equipment

**IMPORTANT:** It is essential to refer to the installation instructions for information on the size of the safety areas.

-  Impact area (minimum normative surface)
-  Free space



1	1m	8,5m <sup>2</sup>
2	1,17m	22m <sup>2</sup>



2



21h00



0m<sup>3</sup>



30m<sup>2</sup>



607kg



22kg

