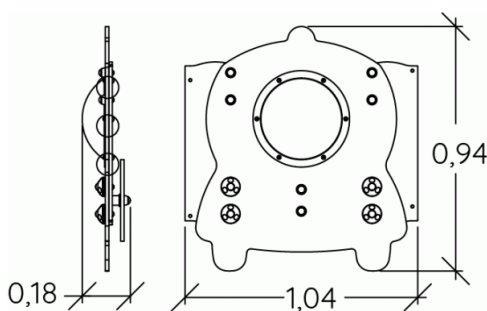
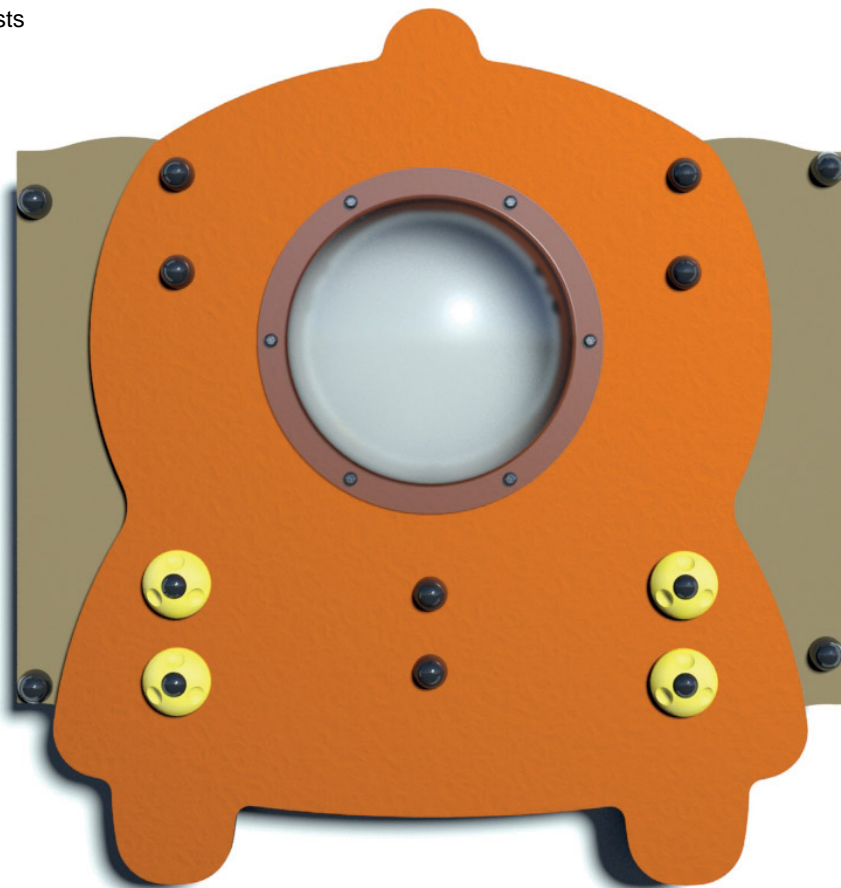


Physical inclusion
Sensory inclusion
Cognitive inclusion



Installed on G3421/G3424 posts




Play value : **5**

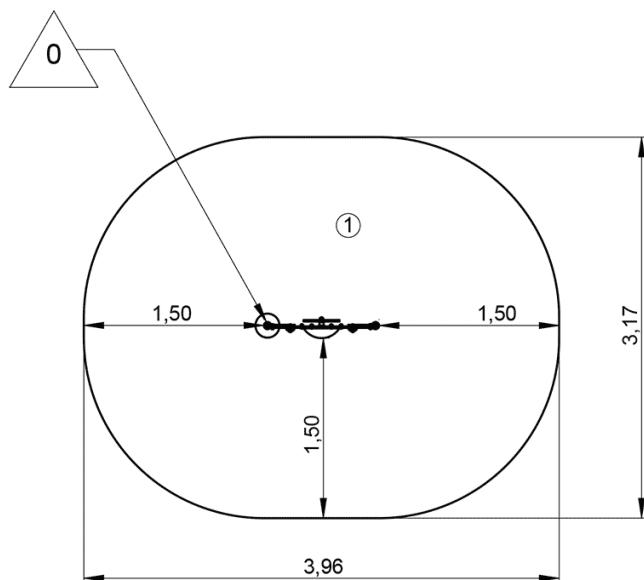
role play	meeting	handling	tactile stimulation	visual stimulation
x1	x1	x1	x1	x1



Installation of equipment

IMPORTANT: It is essential to refer to the installation instructions for information on the size of the safety areas.

 Impact area (minimum normative surface)

 Free space



		
1	0m	11m ²



2



1h00



0m³



10m²



16kg



8kg

