


 **1+**
  **2**
  **0m**

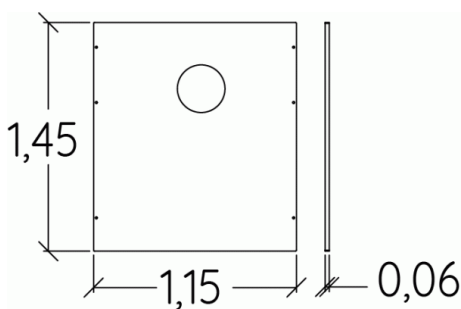

 1 = 1,15m
 2 = 0,06m
 3 = 1,45m



Physical inclusion
Sensory inclusion
Cognitive inclusion





Installed on G3423/G3426 posts




Play value :

3

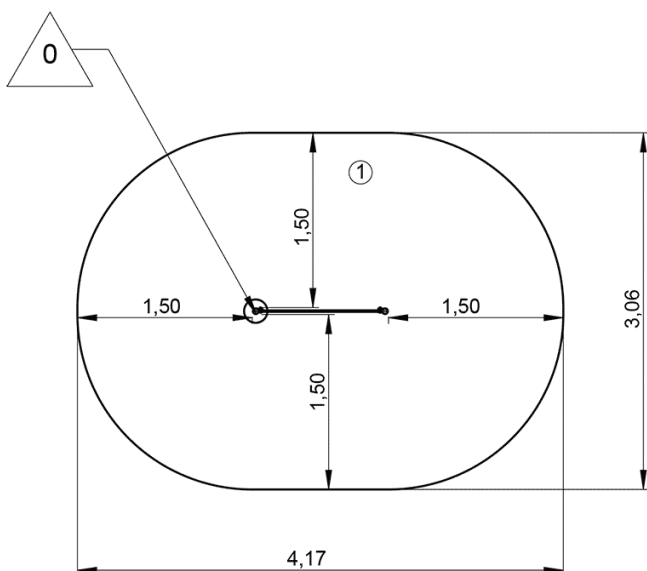
role play	meeting	visual stimulation
		
x1	x1	x1



Installation of equipment

IMPORTANT: It is essential to refer to the installation instructions for information on the size of the safety areas.

 Impact area (minimum normative surface)

 Free space



		
1	0m	11m ²



2



00h30



0m³



11m²



33kg



32kg

