



2+



15



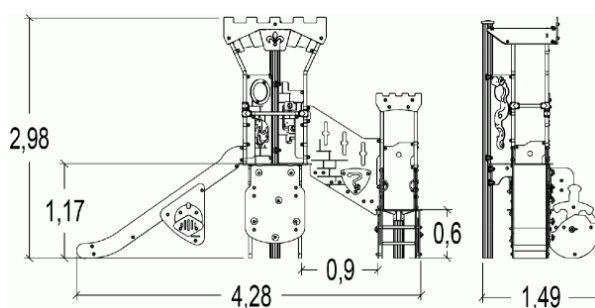
1,17m



1 = 4,28m
2 = 1,49m
3 = 2,98m



Physical inclusion
Sensory inclusion
Cognitive inclusion



Play value :

27

climbing



x1

role play



x5

sliding



x1

meeting



x2

resting



x1

handling



x5

hiding



x1

taking shelter



x1

thinking



x1

tactile stimulation



x5

visual stimulation



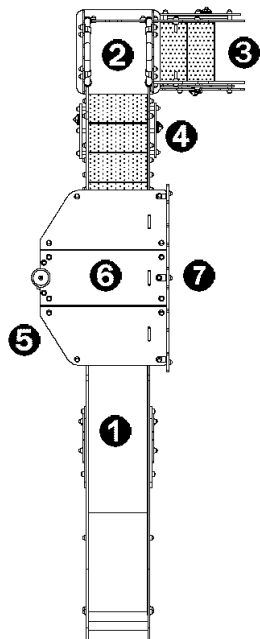
x1

climbing



x3



Components

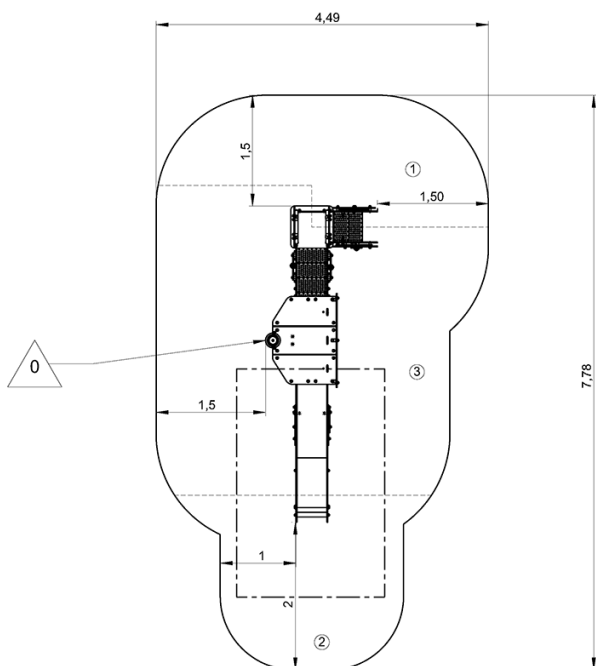


- ① Slide
- ② Themed square platform
- ③ Stairway
- ④ Intermediate staircase
- ⑤ Dragon and Princess panel
- ⑥ Themed tower
- ⑦ Climbing wall

Installation of equipment

IMPORTANT: It is essential to refer to the installation instructions for information on the size of the safety areas.

-  Impact area (minimum normative surface)
-  Free space



1	0,6m	6m ²
2	1m	5m ²
3	1,17m	17m ²



2



12h00



0.26m³



28m²



290kg



17kg

