



2-10



12



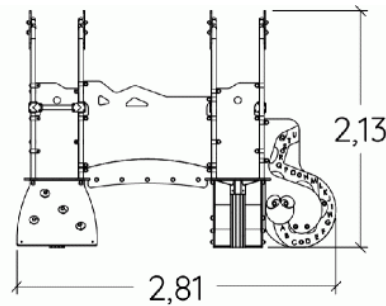
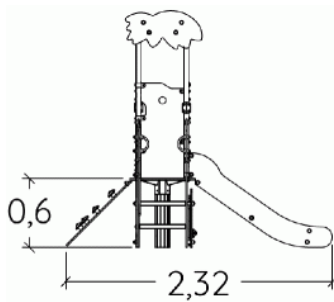
1m



1 = 2,81m
2 = 2,32m
3 = 2,13m



Physical inclusion
Sensory inclusion
Cognitive inclusion



Play value : **12**

climbing



x1

role play



x3

sliding



x1

meeting



x2

handling



x1

thinking



x1

tactile stimulation



x1

climbing



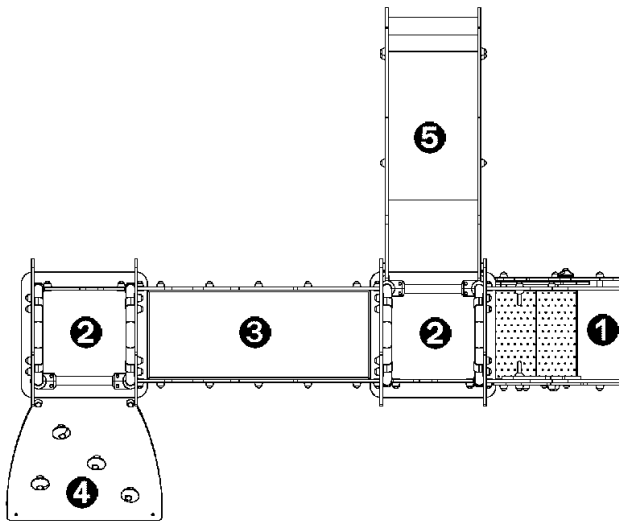
x1

getting across



x1



Components

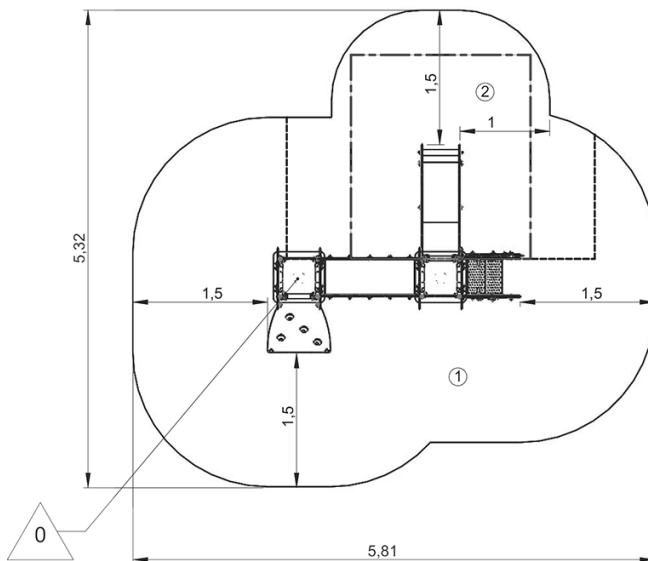


- ① Themed square platform
- ② Stairway
- ③ Closed bridge
- ④ Slide
- ⑤ Slope

Installation of equipment

IMPORTANT: It is essential to refer to the installation instructions for information on the size of the safety areas.

-  Impact area (minimum normative surface)
-  Free space



1	0,6m	15,5m ²
2	1m	8m ²



2



8h00



0m³



23.5m²



202kg



11kg

